

FOR YEARS TO COME

freggia

BUILT-IN REFRIGERATOR

ВСТРОЕННЫЙ ХОЛОДИЛЬНИК

ВБУДОВАНІЙ ХОЛОДИЛЬНИК

CHŁODZIARKO-ZAMRAŻARKA DO

ZABUDOWY

User manual

Руководство пользователя

Інструкція з експлуатації

Instrukcja obsługi

LSB1020

EN

Thank you for purchasing Freggia household appliance.

Please carefully read the user manual, as it contains the instructions for the safe installation, operation and maintenance of the household appliance.

Save it for future use.

RU

Благодарим Вас за приобретение бытовой техники компании Freggia. Пожалуйста, внимательно прочитайте данное руководство пользователя, так как в нем содержатся инструкции по безопасной установке, эксплуатации и обслуживанию бытовой техники.

Сохраните его для использования в будущем.

UA

Дякуємо Вам за те, що Ви придбали побутову техніку компанії Freggia. Будь ласка, уважно прочитайте керівництво з експлуатації, бо в ньому містяться інструкції з безпечної установки, експлуатації та обслуговування побутової техніки.

Зберігайте його для подальшого використання.

PL

Dziękujemy za zakup sprzętu AGD marki Freggia. Prosimy o zapoznanie się z instrukcją obsługi, gdyż zawiera wskazówki dotyczące bezpiecznej instalacji, użytkowania i konserwacji zakupionego urządzenia.

Zalecamy zachowanie niniejszej instrukcji do wykorzystania w przyszłości, jak również zapisanie nazwy modelu i numeru seryjnego Państwa urządzenia.

 **ATTENTION!**
Important safety information.

ВНИМАНИЕ!
Важная информация по безопасности.

УВАГА!
Важлива інформація з безпеки.


UWAGA!
Ważna informacja dotycząca bezpieczeństwa.

 **IMPORTANT:**
Edditional recommendations regarding usage.

ПОЛЕЗНАЯ ИНФОРМАЦИЯ:
дополнительная информация по эксплуатации.

КОРИСНА ІНФОРМАЦІЯ:
додаткова інформація з експлуатації приладу.

PRZYDATNA INFORMACJA:
dodatkowa informacja dotycząca eksploatacji
lodówki.

 **NOTE:**
Care and maintenance.

СОВЕТ:
советы и рекомендации по эксплуатации.

ПОРАДА:
поради та рекомендації з експлуатації приладу.

WSKAZÓWKA:
Wskazówki i porady dotyczące eksploatacji urządzenia.

BEFORE USING THE APPLIANCE.....	3
GENERAL WARNINGS.....	3
SAFETY WARNINGS.....	4
INSTALLING AND OPERATING YOUR FRIDGE.....	4
BEFORE USING YOUR FRIDGE.....	4
PARTS OF THE APPLIANCE AND THE COMPARTMENTS.....	4
HOW TO OPERATE THE APPLIANCE.....	5
THERMOSTAT SETTING.....	5
ACCESSOIRES.....	5
"Door Open" Indicator.....	5
MAKING ICE CUBES.....	5
PLASTIC SCRAPER.....	5
CLEANING AND MAINTENANCE.....	5
DEFROSTING.....	5
REPLACING THE LIGHT BULB.....	6
FOOD STORAGE IN THE APPLIANCE.....	6
REFRIGERATOR COMPARTMENT.....	6
FREEZER COMPARTMENT.....	6
ASSEMBLY INSTRUCTION.....	6
SHIPMENT AND REPOSITIONING.....	6
BEFORE CALLING YOUR AFTER SALES SERVICE.....	6
TIPS FOR SAVING ENERGY.....	7

GENERAL WARNINGS

! WARNING!
Keep ventilation openings, in the appliance enclosure or in the built-in structure, clear of obstruction.

! WARNING!
Do not use mechanical devices or other means to accelerate the defrosting process, other than those recommended by the manufacturer.

! WARNING!
Do not use electrical appliances inside the food storage compartments of the appliance, unless they are of the type recommended by the manufacturer.

! WARNING!
Do not damage the refrigerant circuit.

! WARNING!
To avoid a hazard due to the instability of the appliance, it must be fixed in accordance with the instructions.

- If your appliance uses R600a as a refrigerant – you can learn this information from the label on the cooler- you should be careful during shipment and installation to prevent your appliance's cooler elements from being damaged. Although R600a is an environmentally friendly and natural gas, it is explosive. In the event of a leak caused by damage to the cooler elements, move your fridge from open flame or heat sources and ventilate the room where the appliance is located for a few minutes.
- While carrying and positioning the fridge, do not give damage to the cooler gas circuit.
- Do not store explosive substances such as aerosol cans with a flammable propellant in this appliance.
- This appliance is intended to be used in households and similar applications such as;
 - staff kitchen areas in shops, offices and other working environments
 - farm houses and by clients in hotels, motels and other residential type environments
 - bed and breakfast type environments;
 - catering and similar non-retail applications
- If the socket does not match the refrigerator plug, it must be replaced by the manufacturer, its service agent or similar qualified persons in order to avoid a hazard.
- This appliance is not intended for use by persons (including children) with reduced physical, sensory or mental capabilities, or lack of experience and knowledge, unless they have been given supervision or instruction concerning use of the appliance by a person responsible for their safety. Children should be supervised to ensure that they do not play with the appliance.
- A specially grounded plug has been connected to the power cable of your refrigerator. This plug should be used with a specially grounded socket of 16 amperes. If there is no such socket in your house, please have it installed by an authorized electrician.
- This appliance can be used by children aged from 8 years and above and persons with reduced physical, sensory or mental capabilities or lack of experience and knowledge if they have been given supervision or instruction concerning use of the appliance in a safe way and understand the hazard involved.
- Children should not play with the appliance. Cleaning and user maintenance should not be made by children without supervision.
- If the supply cord is damaged, it must be replaced by the manufacturer, its service agent or similar qualified persons in order to avoid a hazard.

• OLD AND OUT-OF-ORDER FRIDGES



- If your old fridge has a lock, break or remove the lock before discarding it, because children may get trapped inside it and may cause an accident.
- Old fridges and freezers contain isolation material and refrigerant with CFC. Therefore, take care not to harm the environment when you are discarding your old fridges.
- Please ask your municipal authority about the disposal of the WEEE for the reuse, recycle and recovery purposes.

BEFORE USING THE APPLIANCE

NOTES:

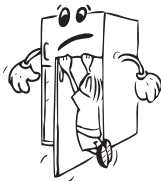
- Please read the instruction manual carefully before installing and using your appliance. We are not responsible of the damage occurred due to misuse.
- Follow all instructions on your appliance and instruction manual, and keep this manual in a safe place to resolve the problems that may occur in the future.
- This appliance is produced to be used at houses and it can only be used in house and for the specified purposes. It is not suitable for commercial or common use. Such use will cause the guarantee of the appliance to be cancelled and our company will not be responsible for the losses to be occurred.
- This appliance is produced to be used in houses and it is only suitable for cooling / storing foods. It is not suitable for commercial or common use and/or for storing substances except for food. Our company is not responsible for the losses to be occurred in the contrary case.

SAFETY WARNINGS

- Do not use multiple receptacles or extension cord.
- Do not plug in damaged, torn or old plugs.
- Do not pull, bend or damage the cord.
- This appliance is designed for use by adults, do not allow children to play with the appliance or let them to hang over the door.



- Do not plug-in or out the plug from the receptacle with wet hands to prevent electrocution!
- Do not place glass bottles or beverage cans in the freezer department. Bottles or cans may explode.
- Do not place explosive or flammable material in your fridge for your safety. Place drinks with higher alcohol amount vertically and by closing their necks tightly in the fridge department.
- When taking ice made in the freezer department, do not touch it, ice may cause ice burns and/or cuts.
- Do not touch frozen goods with wet hands! Do not eat icecream and ice cubes immediately after you take them out of the freezer department!
- Do not re-freeze the frozen goods after being melted. This may cause health issues like food poisoning.
- Do not cover the body or top of fridge with lace. This affects the performance of your fridge.
- Fix the accessories in the fridge during transportation to prevent damage to accessories.



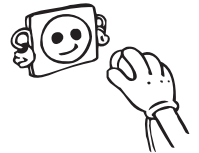
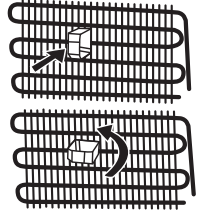
INSTALLING AND OPERATING YOUR FRIDGE

Before starting to use your fridge, you should pay attention to the following points:

- Operating voltage for your fridge is 220-240 V at 50Hz.
- The plug must be accessible after installation.
- There can be an odor when you first switch on the appliance. It will disappear after the appliance starts to cool.
- Before making the connection to the power supply, ensure that the voltage on the nameplate corresponds to the voltage of electrical system in your home.
- Insert the plug into a socket with an efficient ground connection. If the socket has no ground contact or the plug does not match, we suggest you to call an authorized electrician for assistance.
- The appliance must be connected with a properly installed fused socket. Power supply (AC) and voltage at the operating point must with the details on the name plate of the appliance (name plate is located on the inside left of the appliance).
- We do not take responsibility for damages that occur due to ungrounded usage.

BEFORE USING THE APPLIANCE

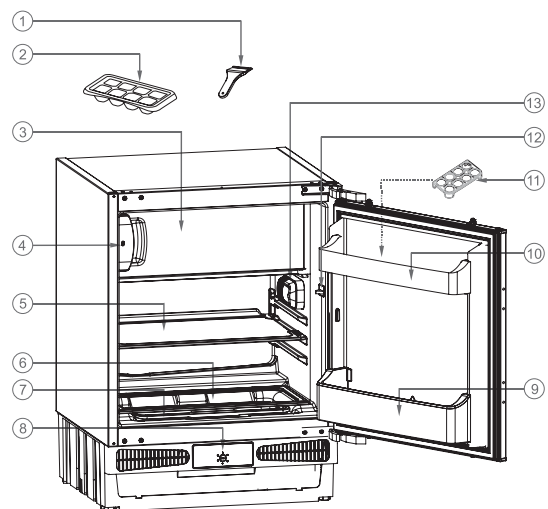
- Place your fridge in a place that it would not be exposed to direct sunlight.
- Your fridge should never be used outdoors or left under the rain.
- Your appliance should be at least 50 cm away from stoves, Gas ovens and heater cores, and should be at least 5 cm away from electrical ovens.
- When your fridge is placed next to a deep freezer, there should be at least 2 cm between them to prevent humidity on the outer surface.
- Do not place heavy items on the appliance.
- Clean the appliance thoroughly, especially in the interior, before use (See Cleaning and Maintenance).
- Installation procedure into the kitchen unit is given in the The installation procedure into the kitchen unit is given in the Installation Manual. This product is intended to be used in proper kitchen units only.
- The adjustable front legs should be adjusted to an appropriate height to allow your freezer to operate in a stable and proper way. You can adjust the legs by turning them clockwise (or in the opposite direction). This should be done before placing food in the freezer.
- Before using your fridge, wipe all parts with warm water added with a tea spoonful of sodium bicarbonate, and then rinse with clean water and dry. Place all parts after cleaning.
- Install the distance adjustment plastic (the part with black vanes at the rear) by turning it 90° as shown in the figure to prevent the condenser from touching the wall.



BEFORE USING YOUR FRIDGE

- When it is operated for the first time or after transportation, keep your fridge in the upright position for 3 hours and plug it on to allow efficient operation. Otherwise, you may damage the compressor.
- Your fridge may have a smell when it is operated for the first time; the smell will fade away when your fridge starts to cool.

PARTS OF THE APPLIANCE AND THE COMPARTMENTS

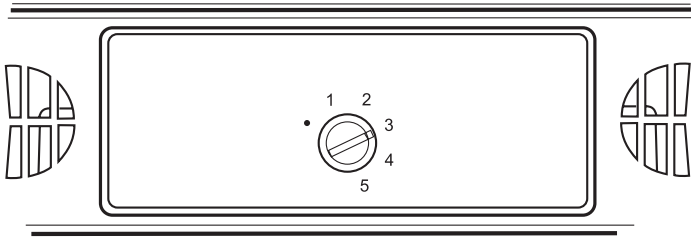


This presentation is only for information about the parts of the appliance.

Parts may vary according to the appliance model.

- | | |
|--------------------------------------|------------------------------|
| 1. Ice blade | 8. Thermostat box |
| 2. Ice box | 9. Bottle shelf |
| 3. Freezer room door | 10. Butter cheese shelf |
| 4. Freezer door Open/Close indicator | 11. Egg holder |
| 5. Fridge shelf | 12. Illuminate On/Off button |
| 6. Crisper cover | 13. Fridge Illuminate |
| 7. Crisper | |

THERMOSTAT SETTING



Important!
Do not try to rotate knob beyond 1 position it will stop your appliance.

- Thermostat automatically regulates the inside temperature of the refrigerator compartment and freezer compartment. By rotating the knob from position 1 to 5, colder temperatures can be obtained.
- For short-term storage of food in the freezer compartment, you can set the knob between minimum and medium position (1-3).
- For long-term storage of food in the freezer compartment, you can set knob medium position.(3-4)

Note that; the ambient temperature, temperature of the freshly stored food and how often the door is opened, affects the temperature in the fridge. If required, change the temperature setting.

- When you first switch on the appliance, you should ideally try to run it without any food in for 24 hours and not open the door. If you need to use it straight away, try not to put much food inside.
- If the unit is switched off or unplugged, you must allow at least 5 minutes before restarting in order not to damage the compressor.
- REFRIGERATORS (with 4 star rating): The freezer of the refrigerator cools down to -18oC and less.

ACCESSOIRES

“DOOR OPEN” INDICATOR

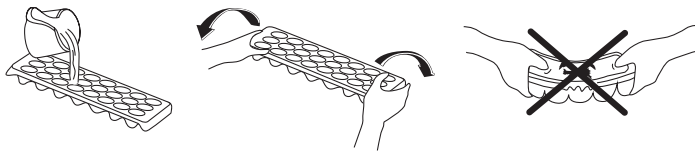


- The «Door Open» indicator on the handle shows whether the door has closed properly or whether it is still open.
- If the indicator is red, the door is still open.
- If the indicator is white, the door is properly closed.
- Observe that the freezer's door should always be kept closed. This will prevent food products from defrosting; it will avoid heavy ice and frost build-up inside the freezer and an unnecessary increase in energy consumption.

MAKING ICE CUBES;

Ice tray

- Fill the ice tray with water and place in freezer compartment.
- After the water completely turned into ice, you can twist the tray as shown below to get the ice cube.



Plastic scraper

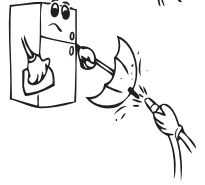


After a period of time, frost will build up in certain areas in the freezer compartment. The frost, accumulated in the freezer, should be removed periodically. Use the plastic scraper provided if necessary. Do not use sharp metal objects for this operation. They could puncture the refrigerator circuit and cause irreparable damage to the unit.

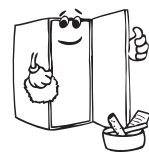
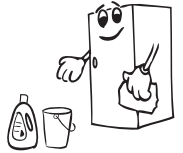
- Disconnect the appliance from the power supply before cleaning.



- Do not wash your fridge by pouring water.



- The refrigerator should be cleaned periodically using a solution of bicarbonate of soda and lukewarm water.

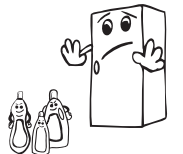


- You can wipe the inner and outer sides with a soft cloth or a sponge using warm and soapy water.

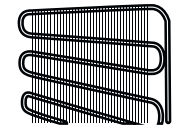
- Clean the accessories separately with soap and water. Do not put them in the dishwasher.



- Do not use abrasive products, detergents or soaps. After washing, rinse with clean water and dry carefully. When the cleaning operations have been completed, reconnect the plug with dry hands.

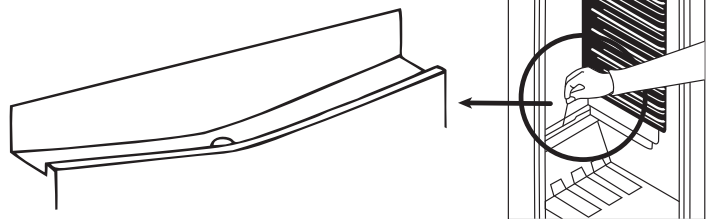


- You should clean the condenser with broom at least once a year in order to provide energy saving and increase the productivity.



DEFROSTING

REFRIGERATOR COMPARTMENT



- Defrosting occurs automatically in refrigerator during operation; the defrost water is collected by the evaporating compartment and evaporates automatically.
- The defrost water drain hole should be cleaned periodically with defrost drain plug to prevent the water from collecting on the bottom of the refrigerator instead of flowing out.
- You can also pour ½ glass of the water to drain hole to clean inside.

FREEZER COMPARTMENT;

The frost, accumulated in the freezer compartment, should be removed periodically. (Use the plastic scraper provided) The freezer compartment should be cleaned in the way as the refrigerator compartment, with the defrost operations of the compartment at least twice a year.

For this;

- The day before you defrost, set the thermostat dial to “5” position to freeze the foods completely.
- During defrosting, frozen foods should be wrapped in several layers of paper and kept in a cool place. The inevitable rise in temperature will shorten their storage life. Remember to use these foods within a relatively short period of time.

CLEANING AND MAINTENANCE

- Set thermostat knob to position « » or unplug the unit; leave the door open until completely defrosted.
- To accelerate the defrosting process one or more basins of warm water can be placed in the freezer compartment.
- Dry the inside of the unit carefully and set the thermostat knob to MAX position.

REPLACING THE LIGHT BULB

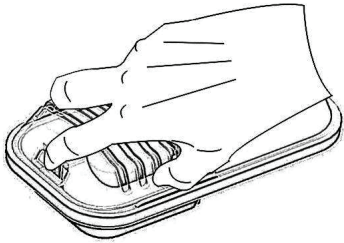


Figure 1

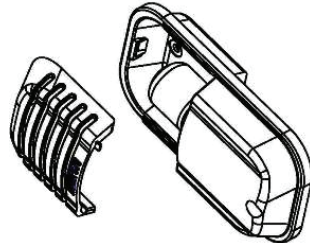


Figure 2

• WHEN REPLACING THE BULB OF THE REFRIGERATOR;

1. Unplug the unit from the power supply,
2. Press the hook in front of the light cover such as Figure 1 and remove the light cover,
3. Change the present light bulb with a new one of not more than 15 W.
4. Replace the light cover and after waiting 5 minutes plug the unit.

FOOD STORAGE IN THE APPLIANCE

REFRIGERATOR COMPARTMENT

Refrigerator compartment is used for storing fresh food for few days.

- Do not place food in direct contact with the rear wall of the refrigerator compartment. Leave some space around food to allow circulation of air.
- Do not place hot food or evaporating liquid in the refrigerator.
- Always store food in closed containers or wrapped.
- To reduce humidity and avoid formation of frost, never place liquids in unsealed containers in the refrigerator.
- Meat of all types, wrapped in packages, is recommended to be placed on the glass shelf just above the vegetable bin, where the air is colder.
- You can put the fruits and vegetables into crisper without packing.
- To avoid the cold air escaping, try not to open the door too often, and not leave the door open for a long time.

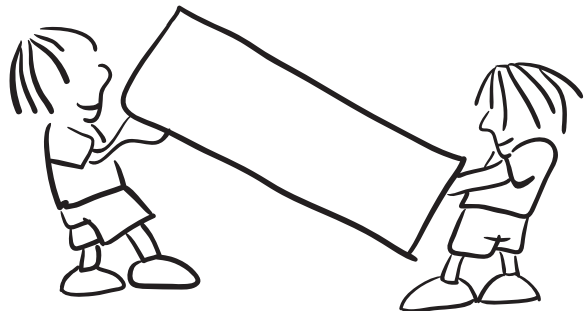
FREEZER COMPARTMENT

- Freezer is used for freezing fresh foods and for storing frozen foods for the period of time indicated on packaging, and for making ice cubes.
- For freezing fresh food; wrap and seal fresh food properly, that is the packaging should be air tight and shouldn't leak. Special freezer bags, aluminum foil (heavy grade, in doubt double wrap), polythene bags and plastic containers are ideal.
- While freezing food; Maximum amount of fresh food (in kg) that can be frozen in 24 hours is indicated on the appliance label.
- 'For optimum appliance performs to reach maximum freezing capacity, set the thermostat knob position as '4' when placing fresh food in the freezer.
- After placing fresh food in the freezer ,24 hours on fast freeze function is generally sufficient,After 24 hours, deactivate the fast freeze function.
- Attention; In order to save energy, When freezing small amounts of food, the fast freeze function can be deactivated.
- Do not allow the fresh food to be frozen to come into contact with the already frozen food.
- Always mark the date and the content on the pack and do not exceed the stated storage time.

- In case of a power failure or malfunction, the freezer compartment will maintain a sufficiently low temperature for food storage. However, avoid opening the freezer door to slow down the temperature rise within the freezer compartment.
- The maximum amount of fresh foods that can be loaded in the freezer within 24 hours is indicated on the name plate (see Freezing Capacity).
- Never place warm food in the freezer compartment.
- When purchasing and storing frozen food products; ensure that the packaging is not damaged.
- The storage time and the recommended temperature for storing frozen foods are indicated on the packaging. For storing and using, follow the manufacturer's instructions. If no information is provided, food should not be stored for more than 3 months.
- Place frozen food in the freezer compartment as soon as possible after buying it.
- Once the food is thawed, it must not be refrozen; you must cook it as quickly as possible in order to consume or to freeze once again.
- When making ice cubes, fill the ice tray with water and place in freezer compartment. After the water completely turned into ice, you can twist the tray as shown below to get the ice cube.

SHIPMENT AND REPOSITIONING

- Original package and foam may be kept for re-transportation (optionally).
- You should fasten your fridge with thick package, bands or strong cords and follow the instructions for transportation on the package for re-transportation.
- Remove movable parts (shelves, accessories, vegetable bins etc.) or fix them into the fridge against shocks using bands during re-positioning and transportation.
- Carry your freezer in the upright position.



BEFORE CALLING YOUR AFTER SALES SERVICE

If your refrigerator is not working properly, it may be a minor problem, therefore check the following.

The appliance does not operate,

Check if;

- There is a power failure,
- The mains plug is not properly plugged in, or is loose
- The thermostat setting is on position " "
- The socket is defective. To check this, plug in another appliance that you know which is working into the same socket.

The appliance performs poorly;

Check if;

- You have overloaded the appliance,
- The doors are not closed perfectly,
- There are not enough ventilation ducts on the kitchen unit as mentioned in the Installation Manual.

BEFORE CALLING YOUR AFTER SALES SERVICE

If there is noise;

The cooling gas which circulates in the refrigerator circuit may make a slight noise (bubbling sound) even when the compressor is not running.

Do not worry, this is quite normal. If these sounds are different check if;

- The appliance is installed firmly as described in the Installation Manual.
- The objects on the appliance are vibrating.

If there is water in the lower part of the refrigerator;

Check if;

The drain hole for defrost water is not clogged (use defrost drain plug to clean the drain hole).

If the door is not being properly opened and closed:

- Are the food packages preventing the door from being closed?
- Have the door compartments, shelves and drawers been properly placed?
- Have the door seals been defective or torn?
- Is your refrigerator standing on an even ground?

If your fridge is not cooling enough;

- Your fridge is designed to operate in the ambient temperature intervals stated in the standards, according to the climate class stated in the information label. We do not recommend operating your fridge out of stated temperatures value limits in terms of cooling effectiveness.

Climate Class	Ambient Temperature °C
T	Between 16 and 43 (°C)
ST	Between 16 and 38 (°C)
N	Between 16 and 32 (°C)
SN	Between 10 and 32 (°C)

• RECOMMENDATIONS

- In order to increase space and improve the appearance, the “cooling section” of refrigerators is positioned inside the back wall of the refrigerator compartment. When the compressor is working, this wall is covered with frost or water drops. Do not worry. This is quite normal.
- The appliance should be defrosted only if an excessively thick ice layer forms on the back wall.
- If the appliance is not used for a long time (for example during the summer holidays), set the thermostat knob to position “0”. Defrost and clean the refrigerator leaving the door open to prevent the formation of mildew and smell.

TIPS FOR SAVING ENERGY

1. Install the appliance in a cool, well ventilated room, but not in direct sunlight and not near heat source (radiator, cooker.. etc). Otherwise use an insulating plate.
2. Allow food and drinks to cool down outside the appliance.
3. When placing, drinks and sops they must be covered. Otherwise humidity increases at the appliance. Therefore the working time gets longer. Also covering drinks and sops helps to save smell and taste.
4. When placing food and drinks, open the appliance door as briefly as possible.
5. Keep close the covers of any different temperature compartment in the appliance (crisper, chiller ...etc).
6. Door gasket must be clean and pliable. Replace gaskets if worn.

ПЕРЕД ИСПОЛЬЗОВАНИЕМ УСТРОЙСТВА.....	8
ПРЕДУПРЕЖДЕНИЯ ОБЩЕГО ХАРАКТЕРА.....	8
ПРЕДУПРЕЖДЕНИЯ ОТНОСИТЕЛЬНО БЕЗОПАСНОГО ПОЛЬЗОВАНИЯ.....	9
УСТАНОВКА И ЭКСПЛУАТАЦИЯ ХОЛОДИЛЬНИКА.....	9
ДО НАЧАЛА ЭКСПЛУАТАЦИИ ХОЛОДИЛЬНИКА.....	10
ДЕТАЛИ И КАМЕРЫ УСТРОЙСТВА.....	10
ПРАВИЛА ЭКСПЛУАТАЦИИ УСТРОЙСТВА.....	10
НАСТРОЙКА ТЕРМОСТАТА.....	10
АКСЕССУАРЫ.....	10
Индикатор Door Open («Открытая дверца»).....	10
ПРИГОТОВЛЕНИЕ КУБИКОВ ЛЬДА.....	10
ПЛАСТИКОВЫЙ СКРЕБОК.....	10
ОЧИСТКА И ОБСЛУЖИВАНИЕ.....	11
РАЗМОРАЖИВАНИЕ.....	11
ЗАМЕНА ЛАМПЫ ОСВЕЩЕНИЯ.....	11
ХРАНЕНИЕ ПРОДУКТОВ В УСТРОЙСТВЕ.....	11
ХОЛОДИЛЬНАЯ КАМЕРА.....	11
МОРОЗИЛЬНАЯ КАМЕРА.....	11
ПЕРЕВОЗКА И ПЕРЕУСТАНОВКА.....	12
ИНСТРУКЦИЯ ПО СБОРКЕ.....	12
ПРЕЖДЕ ЧЕМ ОБРАТИТЬСЯ В ПОСЛЕПРОДАЖНЫЙ СЕРВИС.....	12
РЕКОМЕНДАЦИИ ПО ЭНЕРГОСБЕРЕЖЕНИЮ.....	13

ПРЕДУПРЕЖДЕНИЯ ОБЩЕГО ХАРАКТЕРА

! **ПРЕДУПРЕЖДЕНИЕ!**
Содержите вентиляционные отверстия устройства или конструкций, куда происходит его установка, свободными от помех.

! **ПРЕДУПРЕЖДЕНИЕ!**
Не используйте механические приборы или другие средства для ускорения процесса размораживания, кроме рекомендованных производителем.

! **ПРЕДУПРЕЖДЕНИЕ!**
Не используйте электроприборы внутри отсеков для хранения продуктов, если такие приборы не относятся к типу, рекомендованному производителем.

! **ПРЕДУПРЕЖДЕНИЕ!**
Не повреждайте контур хладагента.

! **ПРЕДУПРЕЖДЕНИЕ!**
Во избежание опасности, связанной с неустойчивостью устройства, последнее должно быть зафиксировано в соответствии с инструкциями.

- Если в устройстве в качестве хладагента используется R600a (такая информация приведена на этикетке, имеющейся на охладителе), при транспортировке и установке необходимо соблюдать осторожность, чтобы не повредить охладительные элементы. Хотя R600a является экологически безвредным природным газом, он взрывоопасен. В случае утечки, вызванной повреждением элементов охладителя, необходимо поместить холодильник вдали от источников открытого огня или тепла и в течение нескольких минут проветривать помещение, в котором находится холодильник.
- Во время транспортировки и установки холодильника не допускайте повреждения контура хладагента.
- В данном устройстве не допускается хранение взрывоопасных веществ, таких, как аэрозольные баллоны с легковоспламеняющимся пропеллентом.
- Устройство предназначено для использования в домашнем хозяйстве и для аналогичного применения, например:
 - в кухнях для персонала в магазинах, офисах и в других рабочих средах;
 - в жилых домах сельских хозяйств, в отелях, мотелях и жилых помещениях других типов;
 - в заведениях с полупансионом;
 - в местах общественного питания и похожих заведениях, не связанных с розничной торговлей.
- Если штепсель холодильника не соответствует розетке, необходимо обратиться к производителю, сервисному агенту или другим квалифицированным специалистам для замены штепселя во избежание опасности.
- Данное устройство не предназначено для использования лицами (включая детей) с ограниченными физическими, сенсорными, умственными возможностями либо с отсутствием опыта и знаний при отсутствии надзора или инструкций по использованию устройства со стороны лица, ответственного за их безопасность. Необходимо следить за детьми с целью предотвращения игр с устройством.
- К шнуру питания холодильника прикреплена штепсельная вилка со специальным заземлением. Данную вилку следует использовать со штепсельной розеткой с напряжением 16 ампер. Если в вашем доме такая розетка отсутствует, следует обратиться к квалифицированному электрику для ее установки.
- Данное устройство может использоваться детьми в возрасте 8 лет и старше, а также лицами с ограниченными физическими, сенсорными, умственными возможностями либо с отсутствием опыта и знаний под надзором или в случае инструктирования их по использованию устройства безопасным способом и понимания такими лицами существующей опасности. Дети не должны играть с устройством. Чистка и обслуживание не должны производиться детьми без надзора.
- В случае повреждения шнура питания необходимо обратиться к производителю, сервисному агенту или другим квалифицированным специалистам для его замены во избежание опасности.

ПЕРЕД ИСПОЛЬЗОВАНИЕМ УСТРОЙСТВА

• СТАРЫЕ И ВЫШЕДШИЕ ИЗ СТРОЯ ХОЛОДИЛЬНИКИ



- Если ваш старый холодильник запирается, сломается или снимите замок, прежде чем выбрасывать устройство, поскольку внутри может оказаться заперт ребенок, и это может привести к несчастному случаю.
- Старые морозильные камеры и холодильники содержат изоляционный материал и охлаждающий агент с ХФУ. Потому позаботьтесь о том, чтобы не нанести вред окружающей среде, выбрасывая старые холодильники.
- Обратитесь в органы местной власти для получения информации относительно исполнения Директивы ЕС относительно отработанного электрического и электронного оборудования для их повторного использования, переработки и восстановления.

▶ ПРИМЕЧАНИЯ:

- Пожалуйста, внимательно ознакомьтесь с руководством по эксплуатации до установки и использования холодильника. Мы не несем ответственности за ущерб, причиненный в результате неправильной эксплуатации.
- Следуйте всем инструкциям на вашем приборе, а также руководству по эксплуатации и храните его в безопасном месте для решения проблем, которые могут возникнуть в дальнейшем.
- Данное устройство предназначено для бытового использования и может применяться только в домашних условиях и для указанных целей. Оно не предназначено для коммерческого или общего использования. В случае такого использования гарантия на устройство будет аннулирована, и наша компания не будет нести ответственности за возможные убытки.
- Данное устройство предназначено для использования в домашних условиях и пригодно только для охлаждения/ хранения пищевых продуктов. Оно не подходит для коммерческого или общего использования и/или хранения каких-либо материалов, за исключением продуктов питания. Наша компания не несет ответственности за потери, которые могут возникнуть в противном случае.

ПРЕДУПРЕЖДЕНИЯ ОТНОСИТЕЛЬНО БЕЗОПАСНОГО ПОЛЬЗОВАНИЯ

- Не применяйте штепсельную розетку с разветвителем или удлинителем.
- Не вставляйте в розетку поврежденные, изношенные или старые штепселя.
- Не тяните, не сгибайте и не повреждайте шнур питания.



- Этот холодильник предназначен для использования взрослыми, не позволяйте детям играть с ним или виснуть на дверке.
- Не втыкайте и не извлекайте штепсель из розетки мокрыми руками во избежание повреждений электрическим током!
- Не храните стеклянные бутылки, банки с напитками в морозильной камере. Бутылки или банки могут взорваться.
- В целях безопасности не храните взрывчатый или легковоспламеняющийся материал в холодильнике. Напитки с высоким содержанием алкоголя храните в холодильной камере в вертикальном положении, плотно закрыв горлышко бутылки.
- При извлечении льда, замороженного в морозильной камере, не притрагивайтесь к нему, так как лед может послужить причиной обморожения и/или порезов.
- Не дотрагивайтесь до замороженных продуктов влажными руками! Не ешьте мороженое или кубики льда сразу после извлечения их из морозильной камеры!

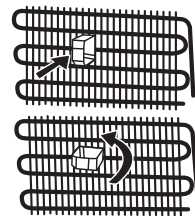


- Не замораживайте продукты повторно после того, как они разморозились. Это может вызвать проблемы со здоровьем, например, пищевое отравление.
- Не покрывайте корпус или верх холодильника. Это влияет на производительность холодильника.
- Закрепите аксессуары в холодильнике во время транспортировки во избежание их повреждения.

УСТАНОВКА И ЭКСПЛУАТАЦИЯ ХОЛОДИЛЬНИКА

Перед началом использования холодильника обратите внимание на следующее:

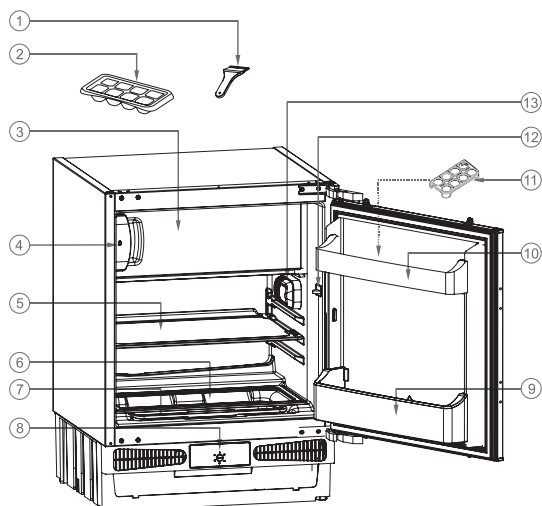
- Рабочее напряжение холодильника составляет 220-240 В при частоте 50 Гц.
- После установки розетка должна быть доступна.
- При первом включении холодильника возможно появление запаха. После начала охлаждения запах исчезнет.
- Перед подключением кабеля электропитания убедитесь, что значение напряжения, указанное в табличке с техническими характеристиками, соответствует величине напряжения электрической сети вашего дома.
- Вставьте штепсель в розетку с надлежащим заземляющим соединением. Если электрическая розетка не имеет вывода заземления или штепсель не подходит для подключения к розетке, мы рекомендуем вам обратиться за помощью к квалифицированному электрику.
- Устройство должно подключаться к электрической сети через надлежащим образом установленную розетку с предохранителем. Питание (переменный ток) и напряжение в рабочей точке должны быть указаны на заводской табличке устройства (заводская табличка расположена слева внутри холодильника).
- Мы не несем ответственности за какой-либо ущерб в результате использования холодильника без заземления.
- Поместите холодильник в такое место, где исключено попадание на него прямых солнечных лучей.
- Холодильник никогда не должен использоваться на открытом воздухе или оставаться под дождем.
- Холодильник должен находиться минимум в 50 см от кухонных плит, газовых печей и обогревателей, а также на расстоянии минимум 5 см от электропечей.
- Когда холодильник находится рядом с камерой глубокой заморозки, расстояние между ними должно быть минимум 2 см для предотвращения выпадения влаги на наружной поверхности.
- Не помещайте на холодильник тяжелые предметы.
- Перед использованием произведите тщательную чистку устройства, особенно внутри (см. раздел «Чистка и обслуживание»).
- Процедура установки в комплект кухонной мебели приведена в руководстве по установке. Данное изделие предназначено для использования только в соответствующих кухонных конструкциях.
- Регулируемые передние опоры необходимо установить на соответствующей высоте, чтобы обеспечить устойчивость и правильную работу морозильника. Можно отрегулировать опоры, поворачивая их по часовой стрелке (или в противоположном направлении). Регулировку необходимо выполнить до помещения продуктов в морозильник.
- Перед началом использования холодильника протрите все его части теплой водой с добавлением чайной ложки соды, а затем сполосните чистой водой и высушите. После очистки установите все части на место.
- Установите пластиковый регулятор расстояния (деталь с черными лопастями в задней части), повернув его на 90°, чтобы не допустить соприкосновения конденсатора со стеной.



ДО НАЧАЛА ЭКСПЛУАТАЦИИ ХОЛОДИЛЬНИКА

- При использовании холодильника в первый раз или после его транспортировки для обеспечения эффективного функционирования установите холодильник в вертикальное положение, оставьте на 3 часа, а затем подключите питание. В противном случае вы можете повредить компрессор.
- При использовании в первый раз холодильник может издавать запах; после начала охлаждения запах выветрится.

ДЕТАЛИ И КАМЕРЫ УСТРОЙСТВА

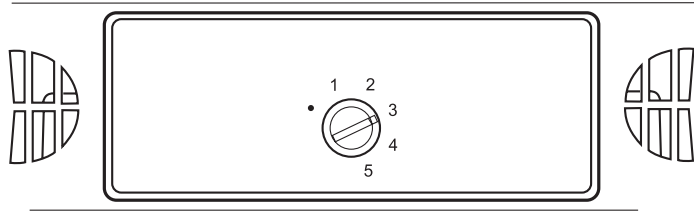


Данное изображение служит для наглядного представления деталей устройства. Детали могут отличаться в зависимости от модели.

1. Пластиковый скребок
2. Лоток для льда
3. Дверца морозильного отделения
4. Индикатор открытия/закрытия дверцы морозильного отделения
5. Полка холодильника
6. Крышка контейнера для фруктов и овощей
7. Контейнер для фруктов и овощей
8. Короб термостата
9. Полка для бутылок
10. Полка для масла и сыра
11. Держатель яиц
12. Кнопка включения/выключения освещения
13. Освещение холодильника

ПРАВИЛА ЭКСПЛУАТАЦИИ УСТРОЙСТВА

НАСТРОЙКА ТЕРМОСТАТА



Важно! Не пытайтесь переводить ручку в положение перед позицией 1. Это остановит работу вашего электроприбора.

- Термостат автоматически регулирует температуру внутри холодильной и морозильной камер. Переведением ручки из положения 1 в положение 5 достигается более низкая температура.
- Для кратковременного хранения продуктов в морозильной камере вы можете установить ручку между минимальным и средним положением (1-3).
- Для долгосрочного хранения продуктов в морозильной камере вы можете установить ручку в среднее положение (3-4).
- Необходимо учитывать, что температура окружающей среды, температура свежих хранящихся продуктов и частота открытия дверцы оказывают воздействие на температуру холодильного и морозильного отделений. В случае необходимости измените настройки температуры.
- При первом включении устройства идеальным вариантом будет дать ему поработать в течение 24 часов без продуктов внутри и не открывать дверцу. В случае необходимости использования прибора сразу старайтесь не помещать внутрь слишком много продуктов.
- Если устройство было выключено или отключено от электросети, необходимо выждать по крайней мере 5 минут, прежде чем повторно включить его, чтобы избежать повреждения компрессора.
- **ХОЛОДИЛЬНИКИ** (с рейтингом 4 звезды): Температура в морозильной камере составляет -18°C и ниже.

АКСЕССУАРЫ

ИНДИКАТОР DOOR OPEN («ОТКРЫТАЯ ДВЕРЦА»)



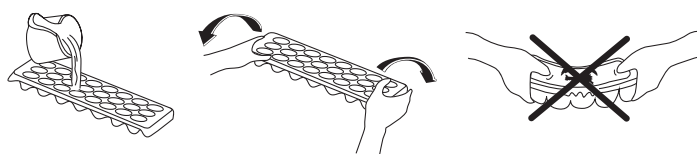
- Индикатор «Открытая дверца» на ручке указывает на то, была ли дверца закрыта должным образом или все еще остается открытой.
- Если индикатор красный, дверца все еще открыта.
- Если индикатор белый, дверца закрыта должным образом.
- Необходимо следить за тем, чтобы дверца морозильной камеры всегда оставалась закрытой. Это позволит предотвратить размораживание

продуктов, образование избыточного количества льда и инея внутри камеры и увеличение потребления электроэнергии.

ПРИГОТОВЛЕНИЕ КУБИКОВ ЛЬДА

Лоток для льда

- Наполните лоток для льда водой и поместите его в морозильное отделение.
- После того как вода полностью замерзнет, вы сможете перевернуть ящичек, как показано на рисунке, чтобы получить кубики льда.



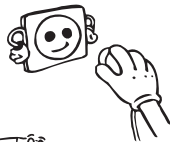
ПЛАСТИКОВЫЙ СКРЕБОК



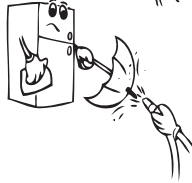
По прошествии времени в определенных местах морозильной камеры образуется наледь. Наледь, образовавшаяся в морозильной камере, необходимо периодически удалять. Используйте прилагаемый пластиковый скребок. Не используйте острые металлические предметы для этой операции. Ими можно проткнуть контур хладагента, и это приведет к повреждению, не подлежащему ремонту.

ОЧИСТКА И ОБСЛУЖИВАНИЕ

- Перед проведением очистки отключите холодильник от электрической сети.



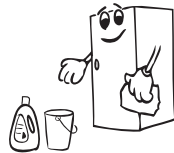
- При мытье холодильника не лейте на него воду.



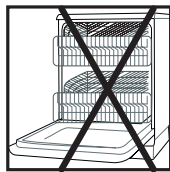
- Периодически необходимо проводить очистку холодильной камеры раствором пищевой соды с теплой водой.



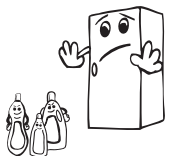
- Вы можете протереть внутренние и внешние стороны мягкой тканью или губкой с использованием теплой мыльной воды.



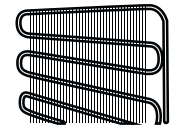
- Отдельно производите чистку аксессуаров мыльным раствором воды. Не мойте их в посудомоечной машине.



- Не используйте для очистки абразивные средства, моющие средства или мыло. После проведения очистки промойте чистой водой и тщательно высушите. После завершения очистки снова подсоедините холодильник к электрической сети, держа штепсель сухими руками.



- Для экономии электроэнергии и улучшения показателей работы необходимо проводить очистку конденсатора щеткой по крайней мере один раз в год.



- во время размораживания продукты должны быть обернуты в несколько слоев бумаги и помещены в прохладное место. Неизбежное повышение температуры приведет к уменьшению срока их хранения. Помните о необходимости использовать эти продукты в течение относительно короткого периода;

- установите ручку термостата в положение «» или отключите устройство от сети; оставьте дверцу открытой до тех пор, пока не произойдет полное размораживание;

- для ускорения процесса размораживания в морозильную камеру можно поместить одну или несколько емкостей с теплой водой;

- осторожно удалите влагу внутри устройства и установите ручку термостата в максимальную позицию.

ЗАМЕНА ЛАМПЫ ОСВЕЩЕНИЯ

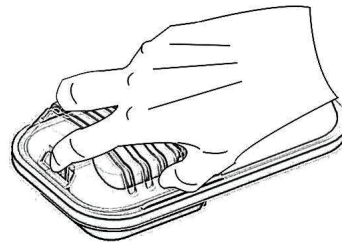


рис. 1

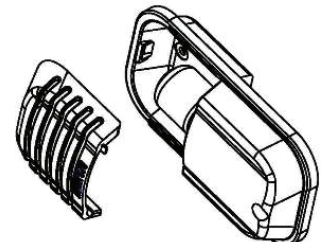


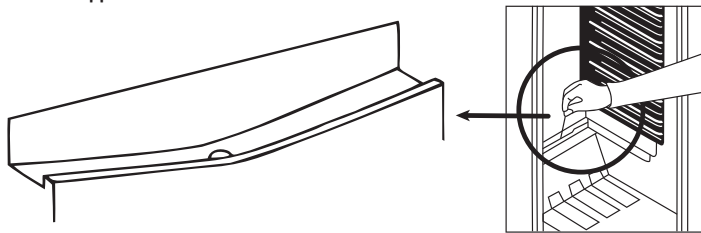
рис. 2

• ВО ВРЕМЯ ЗАМЕНЫ ЛАМПЫ ОСВЕЩЕНИЯ В ХОЛОДИЛЬНИКЕ:

1. Отключите холодильник от электрической сети.
2. Нажмите на скобу в передней части плафона, как показано на Рисунке 1, и снимите плафон.
3. Замените установленную лампу новой мощностью не более 15 Вт.
4. Установите плафон повторно и подключите холодильник к электрической сети через 5 минут.

РАЗМОРАЖИВАНИЕ

• ХОЛОДИЛЬНАЯ КАМЕРА



- Размораживание производится полностью автоматически во время работы холодильника. Вода после размораживания собирается в испарительном поддоне и испаряется автоматически.
- Периодически необходимо проводить очистку сливного отверстия талой воды при помощи дренажного тросика, чтобы предотвратить застой воды в нижней части холодильника.
- Вы также можете налить 1/2 стакана воды в сливное отверстие, чтобы очистить его внутреннюю часть.

• МОРОЗИЛЬНАЯ КАМЕРА

Наледь, образовавшуюся в морозильной камере, необходимо периодически удалять. Используйте прилагаемый пластиковый скребок. Чистку морозильной камеры следует производить аналогично чистке холодильной камеры, при этом операцию размораживания следует выполнять не реже двух раз в год.

Для этого:

- за день до размораживания необходимо выставить на шкале термостата позицию «5» для полного замораживания продуктов;

ХРАНЕНИЕ ПРОДУКТОВ В УСТРОЙСТВЕ

ХОЛОДИЛЬНАЯ КАМЕРА

Холодильная камера используется для хранения свежих продуктов в течение нескольких дней.

- Не размещайте продукты так, чтобы они соприкасались с задней стенкой холодильной камеры. Оставьте немного свободного пространства вокруг продуктов для обеспечения циркуляции воздуха.
- Не помещайте в холодильник горячие продукты или жидкости, от которых исходит пар.
- Всегда храните продукты в закрытых контейнерах или в обертках.
- Для уменьшения уровня влажности и предотвращения нарастания инея никогда не кладите в холодильник жидкости в негерметичных емкостях.
- Мясо всех видов, обернутое в упаковочный материал, рекомендуется размещать на стеклянной полке над контейнером для фруктов и овощей, где воздух холоднее.
- Вы можете класть фрукты и овощи в соответствующий контейнер без упаковки.
- Во избежание утечки холодного воздуха старайтесь не открывать дверцу слишком часто и не оставлять ее открытой в течение длительного времени.

МОРОЗИЛЬНАЯ КАМЕРА

- Морозильная камера используется для замораживания свежих продуктов и для хранения замороженных продуктов в течение периода, указанного на упаковке, а также для приготовления кубиков льда.
- При замораживании свежих продуктов необходимо обернуть и запечатать их должным образом, то есть упаковка должна быть герметичной и не дающей течь. Идеальными являются пакеты для замораживания, алюминиевая фольга (прочная, в случае необходимости двухслойная), полиэтиленовые пакеты и пластиковые контейнеры.

ХРАНЕНИЕ ПРОДУКТОВ В УСТРОЙСТВЕ

- Максимальное количество свежих продуктов, которое может быть заморожено в течение 24 часов, указано на табличке устройства.
- Для оптимальной работы с достижением максимальной эффективности замораживания установите ручку термостата в положение «4» до помещения свежих продуктов в морозильную камеру.
- После помещения продуктов в морозильную камеру 24-х часов при включении функции быстрой заморозки обычно достаточно. Через 24 часа следует отключить функцию быстрой заморозки.



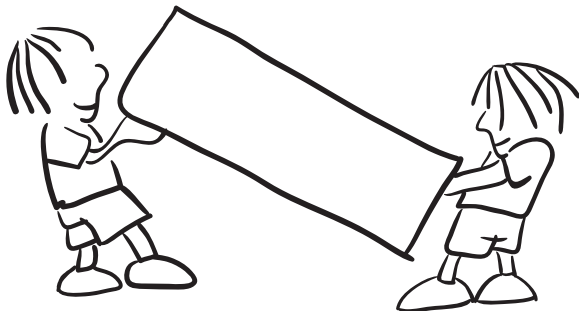
Внимание!

В целях энергосбережения при замораживании небольшого количества продуктов функция быстрой заморозки может быть отключена.

- Не допускайте соприкосновения продуктов, подлежащих заморозке, с уже замороженными продуктами.
- Всегда отмечайте дату упаковки и ее содержимое и не превышайте указанного периода хранения.
- В случае перебоя в электропитании или возникновения неисправности в морозильной камере будет поддерживаться достаточно низкая температура для хранения продуктов. Однако следует воздержаться от открывания дверцы морозильной камеры для замедления повышения температуры внутри.
- Максимальный объем свежих продуктов, который может быть размещен в морозильной камере в течение 24 часов, указан на заводской табличке (см. раздел «Мощность замораживания»).
- Никогда не помещайте в морозильную камеру подогретых продуктов.
- При покупке и хранении замороженных продуктов следует убедиться, что упаковка не повреждена.
- Время хранения и рекомендованная температура хранения замороженных продуктов указаны на упаковке. При хранении и использовании продуктов необходимо руководствоваться инструкциями производителя. В случае отсутствия информации хранение продуктов не должны храниться дольше 3 месяцев.
- Кладите замороженные продукты в морозильную камеру как можно быстрее после их приобретения.
- Когда продукты разморожены, их повторная заморозка не допускается; вы должны как можно скорее приготовить из них блюда, чтобы употребить в пищу или заморозить.
- Для приготовления кубиков льда наполните лоток для льда водой и поместите его в морозильное отделение. После того как вода полностью замерзнет, вы сможете перевернуть лоток, как показано на рисунке, чтобы получить кубики льда.

ПЕРЕВОЗКА И ПЕРЕУСТАНОВКА

- Оригинальную упаковку и пенопласт можно сохранить для повторной транспортировки (по желанию).
- При транспортировке закройте холодильник толстой упаковкой, обвяжите упаковочными лентами и прочными веревками и следуйте инструкциям по транспортировке, содержащимся на упаковке.
- Снимите подвижные детали (полки, вспомогательные приспособления, контейнеры для овощей и т. д.) или зафиксируйте их на время транспортировки или повторной установки с помощью ленты во избежание ударов.
- **Транспортируйте ваш холодильник в вертикальном положении.**



ИНСТРУКЦИЯ ПО СБОРКЕ

Сборочные детали

Мешок

Сборочные инструменты

ПРЕЖДЕ ЧЕМ ОБРАТИТЬСЯ В ПОСЛЕПРОДАЖНЫЙ СЕРВИС

Если ваш холодильник не функционирует должным образом, это может быть связано с возникновением незначительной проблемы, следовательно, необходимо проверить следующее.

Устройство не функционирует

Возможные причины:

- имеет место отключение электроэнергии;
- штепсель не вставлен должным образом или не зафиксирован;
- термостат переведен в положение «*»;
- розетка неисправна.

Чтобы исключить данные причины, подключите к электрической сети другое электрическое устройство, которое точно работает.

Устройство не функционирует должным образом

Возможные причины:

- перегрузка устройства;
- дверцы неплотно закрыты;
- в кухонных конструкциях недостаточно вентиляционных каналов, информация о которых содержится в руководстве по установке.

Устройство производит шум

Охлаждающий газ, циркулирующий в замкнутой схеме холодильника, может производить легкий шум (напоминающий звук выделения пузырьков), даже когда компрессор не работает. Не волнуйтесь. Это нормальное явление. Если звуки отличны от указанных выше, проверьте следующее:

- установлено ли устройство должным образом, как описано в руководстве по установке;
- вибрируют ли предметы, находящиеся на холодильнике.

В нижней части холодильника скапливается вода

Возможные причины:

- засорилось сливное отверстие для талой воды (используйте дренажный тросик для с целью очистки сливного отверстия).

Дверцы не открываются и не закрываются должным образом

Проверьте,

- не мешают ли закрытию дверцы упаковки с продуктами?
- правильно ли установлены дверные отсеки, полки и ящики?
- уплотнения дверцы не имеют дефектов или следов износа?
- на ровной ли поверхности стоит холодильник?

Холодильник недостаточно охлаждает

- Ваш холодильник предназначен для функционирования при интервалах температур окружающей среды, обозначенных в технических условиях, в соответствии с классом климатических условий, указанных на информационной этикетке. Мы не рекомендуем осуществлять эксплуатацию холодильника, если наружная температура не будет соответствовать обозначенным температурным пределам, так как это может повлиять на охлаждающую способность устройства.

Класс климатических условий	Температура окружающей среды, °C
T	Между 16 и 43
ST	Между 16 и 38
N	Между 16 и 32
SN	Между 10 и 32

• РЕКОМЕНДАЦИИ

- Для увеличения пространства и улучшения внешнего вида «секция охлаждения» холодильника расположена внутри задней стенки камеры холодильного шкафа. Во время работы компрессора эта стенка покрыта инеем или каплями воды. Не волнуйтесь. Это нормально. Холодильник следует разморозить только в том случае, если на задней стенке образуется чересчур толстый слой льда.
- Если холодильник не используется в течение длительного времени (например, во время летнего отпуска), установите ручку термостата в положение «*». Разморозьте и очистите холодильник при открытой дверце для предотвращения образования плесени и запаха.

ПРЕЖДЕ ЧЕМ ОБРАТИТЬСЯ В ПОСЛЕПРОДАЖНЫЙ СЕРВИС

• ИНФОРМАЦИЯ О СООТВЕТСТВИИ СТАНДАРТАМ

- Это оборудование предназначено для эксплуатации при диапазоне внешних температур 16-32°C
- Устройство разработано в соответствии со стандартами IEC60335- 1 / IEC60335-2-24, 2004/108/IEC.

РЕКОМЕНДАЦИИ ПО ЭНЕРГОСБЕРЕЖЕНИЮ

1. Установите прибор в прохладном, хорошо вентилируемом помещении, куда не попадают прямые солнечные лучи, вдали от источников тепла (отопительных батарей, плиты и т. д.). В противном случае необходимо использовать изоляционную панель.
2. Подождите, пока подогретые продукты и напитки охладятся снаружи.
3. При размораживании замороженных продуктов помещайте их в холодильную камеру. Низкая температура замороженных продуктов во время размораживания будет способствовать поддержанию низкой температуры внутри холодильной камеры. Таким образом будет обеспечиваться энергосбережение. Если размораживание замороженных продуктов осуществляется снаружи, имеет место потеря энергии.
4. Напитки и жидкие продукты должны храниться в закрытом виде. В противном случае в холодильнике повышается уровень влажности, а это требует большего времени работы. Также хранение напитков и жидких продуктов в закрытом виде способствует сохранению запаха и вкуса.
5. При размещении продуктов и напитков не следует долго держать дверцу открытой.
6. Следите за тем, чтобы отсеки холодильника с различной температурой (ящик для фруктов и овощей, охладитель и т.д.) оставались закрытыми.
7. Уплотнитель на двери должен быть чистым и гибким. В случае износа уплотняющих прокладок необходимо произвести их замену.

ПЕРЕД ПОЧАТКОМ ЕКСПЛУАТАЦІЇ.....	14
ЗАГАЛЬНІ ПОПЕРЕДЖЕННЯ.....	14
ПОПЕРЕДЖЕННЯ ЩОДО БЕЗПЕЧНОГО ВИКОРИСТАННЯ.....	15
УСТАНОВКА Й ЕКСПЛУАТАЦІЯ ХОЛОДИЛЬНИКА.....	15
ПЕРЕД ВИКОРИСТАННЯМ ХОЛОДИЛЬНИКА.....	15
ЧАСТИНИ ТА КАМЕРИ ХОЛОДИЛЬНИКА.....	16
ПРАВИЛА ЕКСПЛУАТАЦІЇ ХОЛОДИЛЬНИКА.....	16
НАЛАШТУВАННЯ ТЕРМОСТАТА.....	16
АКСЕСУАРИ.....	16
Індикатор Door Open («Відкриті дверцята»).....	16
ВИГОТОВЛЕННЯ КУБИКІВ ЛЬОДУ.....	16
ПЛАСТИКОВИЙ ШКРЕБОК.....	16
ЧИЩЕННЯ Й ОБСЛУГОВУВАННЯ.....	17
РОЗМОРОЖУВАННЯ.....	17
ЗАМІНА ЛАМПОЧКИ ОСВІТЛЕННЯ.....	17
ЗБЕРІГАННЯ ПРОДУКТІВ У ХОЛОДИЛЬНИКУ.....	17
ХОЛОДИЛЬНА КАМЕРА.....	17
МОРОЗИЛЬНА КАМЕРА.....	17
ТРАНСПОРТУВАННЯ ТА ПОВТОРНА УСТАНОВКА.....	18
ІНСТРУКЦІЯ ЗІ ЗБИРАННЯ.....	18
ПЕРШ НІЖ ЗВЕРТАТИСЯ ДО ПІСЛЯПРОДАЖНОГО СЕРВІСУ.....	18
ПОРАДИ ЩОДО ЕКОНОМІЇ ЕНЕРГІЇ.....	19

ЗАГАЛЬНІ ПОПЕРЕДЖЕННЯ

! **ПОПЕРЕДЖЕННЯ!**
Утримуйте вентиляційні отвори в корпусі приладу або в конструкції, куди його вбудовано, вільними від перешкод.

! **ПОПЕРЕДЖЕННЯ!**
Не використовуйте механічні прилади або інші засоби для прискорення процесу розморожування, крім засобів, які рекомендовані виробником.

! **ПОПЕРЕДЖЕННЯ!**
Не використовуйте електричні прилади у відділеннях приладу, призначених для зберігання їжі, якщо такі прилади не належать до типу, який рекомендовано виробником.

! **ПОПЕРЕДЖЕННЯ!**
Не пошкоджуйте холодильний контур.

! **ПОПЕРЕДЖЕННЯ!**
Щоб уникнути небезпеки, пов'язаної із нестійкістю приладу, він має бути зафіксований відповідно до інструкцій.

- Коли у вашому приладі в якості холодоагенту використано R600a (ви можете дізнатися цю інформацію з етикетки в холодильній камері), треба бути обережним під час транспортування та встановлення, щоб запобігти пошкодженню охолоджувальних елементів. Незважаючи на те що R600a є нешкідливим для навколишнього середовища природним газом, це вибухова речовина. У разі її витоку через пошкодження елементів холодильника треба перемістити холодильник подалі від джерел відкритого вогню або тепла і провітрювати приміщення, де знаходиться прилад, протягом декількох хвилин.
- Під час транспортування та встановлення пристрою необхідно подбати, щоб компоненти системи охолодження не було пошкоджено.
- Не зберігайте в даному пристрої вибухонебезпечні речовини, такі як аерозольні балончики з легкозаймистою речовиною.
- Цей пристрій призначений для використання в домашньому господарстві та для схожого застосування, наприклад:
 - на кухнях для персоналу в магазинах, офісах і при інших робочих умовах
 - у житлових будинках сільських господарств, в готелях, мотелях та в житлових приміщеннях інших типів;
 - у закладах із напівпансіоном;
 - у місцях громадського харчування та схожих закладах, пов'язаних із роздрібною торгівлею.
- Якщо штепсель холодильника не підходить до розетки, то з метою уникнення небезпеки штепсель необхідно замінити, звернувшись до виробника, сервісного центру або аналогічно кваліфікованої особи.
- Цей електроприлад не призначений для користування особами (включно із дітьми) зі зниженими фізичними, сенсорними, розумовими можливостями чи з браком досвіду та знань, за винятком випадків, коли такі особи перебувають під наглядом або відповідальна за їхню безпеку особа провела з ними інструктаж щодо користування приладом. Необхідно наглядати за дітьми, щоби вони не грали з приладом.
- До шнура живлення холодильника приєднано штепсельну вилку із спеціальним заземленням. Цей штепсель має використовуватися із спеціально заземленою розеткою на 16 ампер. Якщо у вас вдома така розетка відсутня, зверніться до кваліфікованого електрика для її встановлення.
- Холодильник можуть використовувати діти старші 8 років та особи з обмеженими фізичними, сенсорними, розумовими можливостями чи з браком досвіду та знань, якщо вони перебувають під наглядом або відповідальна за їхню безпеку особа провела з ними інструктаж щодо користування приладом і вони розуміють наявну небезпеку. Не дозволяйте дітям грати з приладом. Очищення й обслуговування приладу не повинні здійснюватися дітьми без нагляду.
- Якщо шнур живлення пошкоджено, він має бути замінений виробником, сервісним агентом або аналогічними кваліфікованими особами для уникнення небезпеки.

ПЕРЕД ПОЧАТКОМ ЕКСПЛУАТАЦІЇ

• СТАРІ ТА НЕСПРАВНІ ХОЛОДИЛЬНИКИ



- Якщо ваш старий холодильник обладнано замком, зламайте або зніміть замок перед утилізацією приладу, аби запобігти замиканню дітей всередині холодильника, що може привести до нещасного випадку.
- Старі моделі холодильників і морозильних камер містять ізоляційний матеріал та холодоагент із ХФВ. Тому подбайте, щоб не завдати шкоди навколишньому середовищу, коли викидаєте старі холодильники.
- Будь ласка, зверніться до органів місцевої влади щодо виконання Директиви ЄС щодо відпрацьованого електричного та електронного обладнання з метою повторного використання, переробки та відновлення.



ПРИМІТКИ:

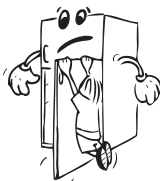
- Будь ласка, уважно прочитайте цей посібник з експлуатації перед встановленням та використанням холодильника. Ми не несемо відповідальності за шкоду, яку було завдано внаслідок неправильного використання приладу.
- Дотримуйтесь усіх інструкцій на вашому приладі та інструкцій, які містяться в посібнику з експлуатації. Зберігайте цей посібник у безпечному місці, щоб вирішувати проблеми, які можуть виникнути в майбутньому.
- Цей прилад призначений для побутового використання, його можна використовувати тільки в домашніх умовах та для зазначених цілей. Він не годиться для комерційного або загального використання. Таке використання може призвести до скасування гарантії на прилад, і наша компанія не нестиме відповідальності за можливі збитки.
- Цей прилад призначений для використання у домашніх умовах та годиться тільки для охолодження/зберігання продуктів. Він не годиться для комерційного або загального користування та/або для зберігання будь-яких речовин, крім продуктів харчування. В іншому разі наша компанія не нестиме відповідальності за можливі збитки.

ПОПЕРЕДЖЕННЯ ЩОДО БЕЗПЕЧНОГО ВИКОРИСТАННЯ

- Не використовуйте розгалужувачі або подовжувачі.
- Не підключайте пошкоджені, розірвані або старі штепселі.
- Не тягніть, не згинайте та не пошкоджуйте шнур живлення.



- Цей прилад призначений для використання дорослими. Не дозволяйте дітям грати з приладом або виснути на дверцятках.
- Для запобігання ураження електричним струмом не вставляйте штепсель до розетки та не виймайте його мокрими руками!
- Не кладіть скляні пляшки або банки з напоями до морозильної камери. Пляшки або банки можуть луснути.
- Для вашої безпеки не розміщуйте вибухові або займисті матеріали у холодильнику. Напої з великим вмістом алкоголю повинні бути добре закриті та поміщені до холодильної камери у вертикальному положенні.
- Коли дістаєте лід з морозильної камери, не торкайтеся його – лід може спричинити обмороження та/або порізи шкіри.
- Не торкайтеся заморожених продуктів вологими руками! Не вживайте в їжу морозиво та кубики льоду, щойно вийняті з морозильної камери!

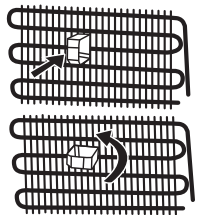


- Після розморожування не заморожуйте продукти повторно. Це може стати причиною проблем зі здоров'ям, наприклад, харчового отруєння.
- Не накривайте корпус або верхню частину холодильника. Це впливає на ефективність роботи холодильника.
- Закріпіть аксесуари в холодильнику під час його транспортування, щоб запобігти їх пошкодженню.

УСТАНОВКА Й ЕКСПЛУАТАЦІЯ ХОЛОДИЛЬНИКА

Перед використанням холодильника слід звернути увагу на викладену нижче інформацію:

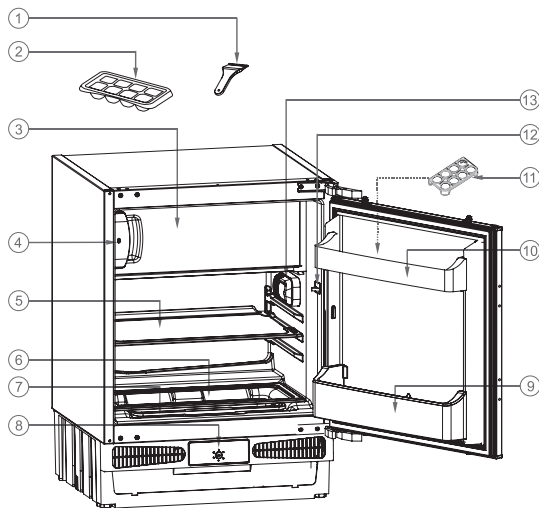
- Робоча напруга холодильника становить 220-240 В, 50 Гц.
- Після установки повинен зберегтися доступ до розетки.
- Під час першого вмикання приладу може з'явитися запах. Він зникне, коли прилад почне охолодження.
- Перед підключенням до електромережі перевірте відповідність напруги, вказаної на табличці з технічними характеристиками, напрузі електромережі вашого помешкання.
- Вставляйте штепсель до розетки, яка має ефективне заземлення. Якщо розетка не має контакту заземлення або не підходить для штепселя, радимо звернутися по допомогу до кваліфікованого електрика.
- Пристрій має бути підключений до правильно встановленої розетки із запобіжником. Джерело живлення (змінний струм) і напруга у робочій точці повинні співпадати з даними, вказаними на табличці приладу (вона розташована на внутрішній лівій стороні холодильника).
- Наша компанія не несе відповідальності за шкоду, яку може бути заподіяно внаслідок використання холодильника без заземлення.
- Розташуйте холодильник у місці, де на нього не падатимуть прямі сонячні промені.
- Холодильник ніколи не повинен використовуватися на відкритому повітрі і не повинен залишатися під дощем.
- Холодильник має знаходитися на відстані мінімум 50 см від джерел тепла, таких як кухонні печі, газові плити та обігрівачі, й на відстані мінімум 5 см від електричних печей.
- Якщо холодильник розташовано поруч із камерою глибокого заморожування, між ними необхідно залишити відстань мінімум 2 см для запобігання конденсації вологи на зовнішній поверхні.
- Не ставте на прилад важкі речі.
- Ретельно очистіть холодильник, особливо всередині, перед початком використання (див. розділ «Чищення й обслуговування»).
- Процедуру встановлення у комплект кухонних меблів наведено в Інструкції зі встановлення. Виріб призначений лише для використання у відповідних кухонних меблях.
- Регульовані передні опори мають бути встановлені на потрібну висоту, щоб забезпечити стабільну та належну роботу морозильної камери. Це можна зробити, повертаючи регульовані опори за годинниковою стрілкою (або у протилежному напрямку). Зробіть це до розміщення продуктів у морозильнику.
- Перед початком використання холодильника промийте всі його частини теплою водою з додаванням чайної ложки соди, потім сполосніть чистою водою і витріть насухо. Встановіть всі частини на місце.
- Установіть на місце пластиковий регулятор відстані (чорна деталь з лопатями ззаду) з поворотом на 90°, щоб запобігти торканню стіни конденсатором.



ПЕРЕД ВИКОРИСТАННЯМ ХОЛОДИЛЬНИКА

- Під час першого підключення або після транспортування дайте холодильнику постояти без підключення протягом 3 годин у вертикальному положенні, потім вставте штепсель у розетку для забезпечення ефективного функціонування приладу. В іншому разі ви можете пошкодити компресор.
- Під час першого підключення холодильника може відчуватися запах. Цей запах зникне після того, як холодильник почне охолодження.

ЧАСТИНИ ТА КАМЕРИ ХОЛОДИЛЬНИКА

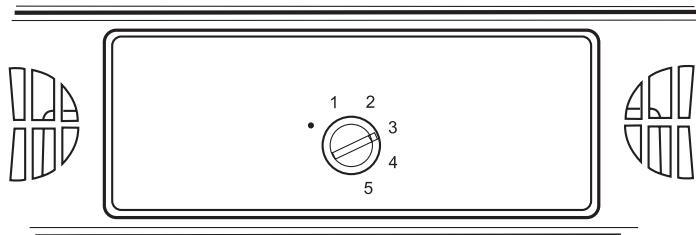


Це зображення лише надає інформацію щодо компонентів пристрою. Компоненти можуть різнитися залежно від моделі виробу.

1. Шкребок для льоду.
2. Лоток для льоду.
3. Дверцята морозильної камери.
4. Індикатор відкритих/закритих дверцят морозильної камери.
5. Полиця холодильника.
6. Кришка контейнера для фруктів та овочів.
7. Контейнер для фруктів та овочів.
8. Блок термостата.
9. Полиця для пляшок.
10. Полиця для масла та сиру.
11. Лоток для яєць.
12. Кнопка ввімкнення/вимкнення освітлення.
13. Освітлення холодильника.

ПРАВИЛА ЕКСПЛУАТАЦІЇ ХОЛОДИЛЬНИКА

НАЛАШТУВАННЯ ТЕРМОСТАТА



Важливо!
Не намагайтеся повернути ручку за позицію 1. Це приведе до зупинки вашого приладу.

- Термостат автоматично регулює температуру всередині холодильної та морозильної камер. Шляхом зміни позиції ручки з положення «1» до «5» можна отримати нижчу температуру.
- Для короткочасного зберігання продуктів в морозильній камері можна встановити регулятор температури між мінімальним і середнім положеннями (1-3).
- Для довгострокового зберігання продуктів в морозильній камері можна встановити регулятор в середнє положення (3-4).

Зверніть увагу: температура довкілля, температура свіжозаморожених продуктів і частота відкривання дверцят впливають на температуру в холодильній та морозильній камерах. У разі необхідності змініть налаштування температури.

- Під час першого увімкнення приладу в ідеалі потрібно, щоб він протягом 24 годин пропрацював без продуктів і відкриття дверцят. Якщо потрібно його негайне використання, намагайтесь не розмішувати забагато продуктів.
- Якщо прилад був вимкнений або відключений від електромережі, слід зачекати не менше 5 хвилин перед повторним вмиканням, щоб не пошкодити компресор.
- **ХОЛОДИЛЬНИКИ** (з рейтингом 4 зірки): Морозильна камера холодильника охолоджується до -18°C та нижче.

АКСЕСУАРИ

• ІНДИКАТОР DOOR OPEN («ВІДКРИТІ ДВЕРЦЯТА»)

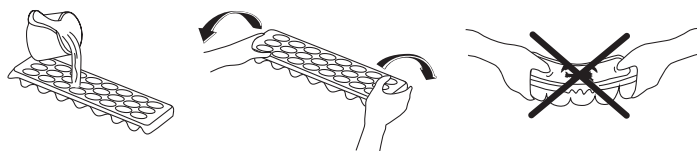


- Індикатор відкритих дверцят на ручці показує, чи правильно закриті дверцята, чи вони досі відкриті.
- Якщо індикатор червоний, дверцята ще відкриті.
- Якщо індикатор білий, дверцята закриті.
- Слідкуйте за тим, щоб дверцята морозильної камери завжди були закриті. Це допоможе запобігти розморожуванню продуктів, утворенню надмірної кількості льоду та інею всередині морозильної камери і непотрібному збільшенню енергоспоживання.

• ВИГОТОВЛЕННЯ КУБИКІВ ЛЬОДУ

Лоток для льоду

- Наповніть лоток для льоду водою і поставте до морозильної камери.
- Після того як вода повністю замерзне, можна згинати лоток, як показано на малюнку нижче, щоб дістати кубики льоду.



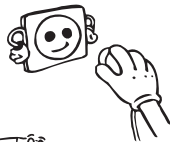
• ПЛАСТМАСОВИЙ ШКРЕБОК



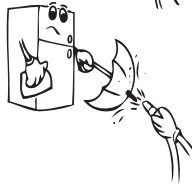
Із часом у деяких частинах морозильної камери утворюється іній. Періодично іній у морозильній камері слід видаляти. За необхідності використовуйте пластмасовий шкребок. Не використовуйте для цього гострі металеві предмети. Так ви можете проткнути контур холодоагенту, і це призведе до невірального пошкодження приладу.

ЧИЩЕННЯ Й ОБСЛУГОВУВАННЯ

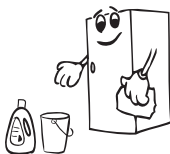
- Перед чищенням від'єднайте прилад від електромережі.



- Не мийте холодильник під проточною водою.



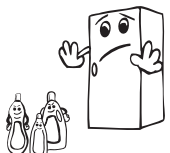
- Холодильну камеру слід періодично промивати розчином харчової соди з теплою водою.
- Внутрішні та зовнішні поверхні можна протерти м'якою тканиною або губкою з теплою мильною водою.



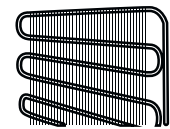
- Аксесуари мийте окремо водою з милом. Не мийте їх у посудомийній машині.



- Не користуйтеся абразивними речовинами, мийними засобами або милом. Після промивання сполосніть чистою водою і ретельно просушіть. Після закінчення чищення вставте штепсель до розетки електромережі сухими руками.

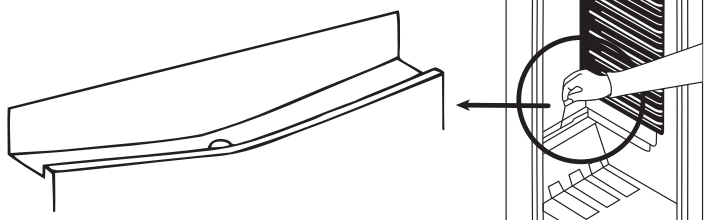


- Треба очищати конденсатор за допомогою щітки принаймні раз на рік для забезпечення економії енергії та з метою підвищення продуктивності.



РОЗМОРОЖУВАННЯ

• ХОЛОДИЛЬНА КАМЕРА



- Розморювання в холодильній камері здійснюється автоматично під час роботи; тала вода збирається у спеціальному лотку й автоматично випаровується.
- Дренажний отвір для розмороженої води необхідно періодично очищувати тросом для дренажного отвору, щоб уникнути скупчення води на дні холодильника та її витікання.
- Ви також можете вилити 1/2 склянки води до дренажного отвору для внутрішнього очищення.

• МОРОЗИЛЬНА КАМЕРА

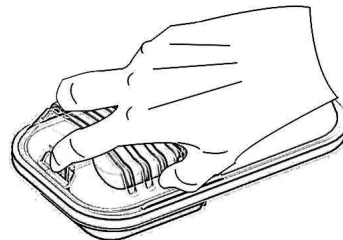
Періодично іній, який накопичується у морозильній камері, слід видаляти. Використовуйте пластмасовий шкребок; морозильне відділення потрібно чистити так само, як і холодильне, і виконувати розморювання принаймні двічі на рік.

Для цього:

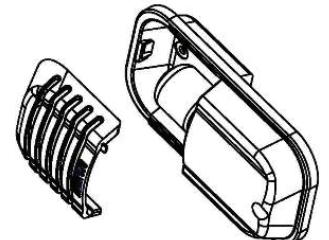
- за день до розморювання встановіть на шкалі термостата положення «5» для повного заморожування продуктів;
- під час розморювання заморожені продукти потрібно огорнути у декілька шарів паперу і помістити у холодне місце. Неминуче збільшення температури призведе до скорочення строку їхнього зберігання. Не забудьте вжити ці продукти впродовж відносно короткого періоду;

- встановіть термостати у положення «» або від'єднайте прилад від мережі живлення. Залиште дверцята відкритими до повного розморювання;
- щоб прискорити процес розморювання, можна помістити до морозильної камери одну або кілька ємностей з теплою водою;
- насухо витріть морозильну камеру зсередини та встановіть ручку термостата у максимальне положення.

ЗАМІНА ЛАМПОЧКИ ОСВІТЛЕННЯ



мал. 1



мал. 2

• ЩОБ ЗАМІНИТИ ЛАМПОЧКУ ХОЛОДИЛЬНИКА:

1. Від'єднайте прилад від електромережі.
2. Натисніть на гачок на передній частині кришки лампочки, як показано на Мал. 1, і зніміть кришку.
3. Замініть лампочку на нову, потужністю не більше 15 Вт.
4. Поверніть на місце кришку та за 5 хвилин увімкніть прилад до електромережі.

ЗБЕРІГАННЯ ПРОДУКТІВ У ХОЛОДИЛЬНИКУ

ХОЛОДИЛЬНА КАМЕРА

Холодильна камера використовується для зберігання свіжих продуктів харчування протягом кількох днів.

- Не розміщуйте продукти так, щоб вони торкалися задньої стінки холодильної камери. Залишайте місце навколо продуктів для вільної циркуляції повітря.
- Не ставте у холодильник гарячу їжу або рідину, що випаровується.
- Завжди зберігайте продукти у закритому контейнері або обгорненими.
- Для зниження вологості та уникнення утворення інею ніколи не ставте до холодильника рідкі продукти в негерметичних контейнерах.
- Будь-який вид м'яса в упаковці рекомендується розміщувати на скляній полиці над контейнером для фруктів та овочів, де холодніше повітря.
- Фрукти й овочі можна покласти до відповідного відділення без упаковок.
- Щоб уникнути втрати холодного повітря намагайтесь не відкривати дверцята занадто часто і не залишайте їх відкритими тривалий час.

МОРОЗИЛЬНА КАМЕРА

- Морозильна камера використовується для заморожування свіжих продуктів і зберігання заморожених продуктів протягом часу, вказаного на упаковці, а також для виготовлення кубиків льоду.
- Для заморожування свіжих продуктів обгорніть і герметично запакуйте свіжі продукти. Упаковка повинна бути щільною і не має протікати. Ідеальним виходом є спеціальні пакети для морозильника, алюмінієва фольга (міцна, за необхідності у два шари), поліетиленові пакети та пластиківі контейнери.
- При заморожуванні продуктів: максимальну кількість свіжих продуктів (у кг), придатну для заморожування протягом 24 годин, вказано на таблиці холодильника.
- Для оптимальної роботи холодильника з метою досягнення максимального рівня холодопродуктивності встановіть ручку термостата у положення «4», перед тим як покласти свіжі продукти до морозильної камери.
- Після розміщення свіжих продуктів у морозильній камері достатньо 24 години у режимі швидкого заморожування. Після закінчення цього терміну відключіть функцію швидкого заморожування.

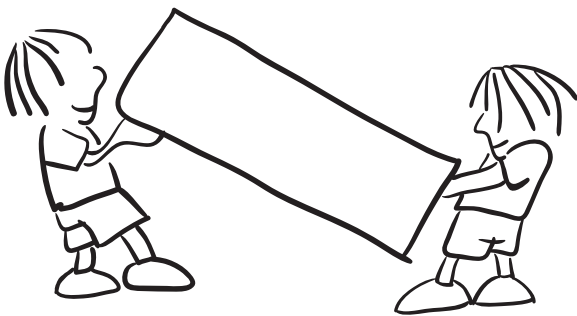
ЗБЕРІГАННЯ ПРОДУКТІВ У ХОЛОДИЛЬНИКУ

Увага! Для зменшення споживання електроенергії під час заморожування незначної кількості продуктів функція швидкого заморожування може бути відключена.

- Свіжі продукти, які потрібно заморозити, не повинні контактувати зі вже замороженими продуктами.
- Завжди ставте відмітку за датою і вмістом на упаковці та не перевищуйте вказаний строк зберігання.
- У разі збою в електропостачанні або виникнення несправності морозильна камера підтримуватиме достатньо низьку температуру для зберігання продуктів. Проте намагайтесь не відкривати дверцята, щоб сповільнити зростання температури всередині морозильної камери.
- Максимальну кількість свіжих продуктів, які можуть бути завантажені до морозильної камери протягом 24 годин, вказано на табличці холодильника (див. «Холодопродуктивність»).
- Ніколи не кладіть до морозильної камери теплі продукти.
- При купівлі та зберіганні заморожених продуктів харчування переконайтесь, що упаковку не пошкоджено.
- Строк зберігання та рекомендовану температуру для зберігання заморожених продуктів вказано на упаковці. Під час зберігання та вживання дотримуйтесь інструкцій виробника. Якщо будь-яка інформація відсутня, продукти слід зберігати не довше 3 місяців.
- Розмістіть заморожені продукти у морозильній камері якомога швидше після купівлі.
- Після того як продукти відтаяли, їх не можна повторно заморожувати. Потрібно якомога скоріше приготувати їх, аби спожити або заморозити.
- Для виготовлення кубиків льоду наповніть лоток для льоду водою і поставте до морозильної камери. Після того як вода повністю замерзне, можна згинати лоток, як показано на малюнку, щоб дістати кубики льоду.

ТРАНСПОРТУВАННЯ ТА ПОВТОРНА УСТАНОВКА

- Оригінальна упаковка та пінополістирол можуть зберігатися для повторного транспортування (за бажанням).
- У разі транспортуванні прилад слід закрити товстим пакетом та зв'язати широкою стрічкою або міцною мотузкою. Під час транспортуванні слід дотримуватися правил транспортування, зазначених на упаковці.
- Перед транспортуванням або перед зміною місця розташування приладу всі рухомі частини (наприклад, полиці, аксесуари, скрині для овочів тощо) потрібно зняти або зафіксувати стрічками, щоб уникнути биття.
- Транспортуйте ваш холодильник у вертикальному положенні.**



ПЕРШ НІЖ ЗВЕРТАТИСЯ ДО ПІСЛЯПРОДАЖНОГО СЕРВІСУ

Якщо ваш холодильник не працює належним чином, це може статися через незначну проблему, отже перевірте наступне.

Прилад не працює

Можливі причини:

- збій у електропостачанні;
- мережевий штепсель неправильно вставлено або не закріплено;
- термостат встановлено в положення «*»;
- розетка несправна. Щоб перевірити, увімкніть до цієї розетки інший справний електроприлад.

Прилад працює погано

Можливі причини:

- ви перезавантажили прилад;
- дверцята погано зачинені;
- у кухонних конструкціях недостатньо вентиляційних каналів (вимоги до вентиляції вказано в Інструкції зі встановлення)..

Прилад видає шум

Охолоджувальний газ, що циркулює в контурі охолодження, може створювати легкий шум (звук булькотіння), навіть якщо компресор не працює. Не хвилюйтеся, це цілком нормально. Якщо ці звуки мають інший характер, перевірте, чи не є причиною щось із наступного:

- прилад не встановлено належним чином (відповідно до Інструкції зі встановлення);
- вібрують предмети, що стоять на холодильнику.

У нижній частині холодильника накопичується вода

Можливі причини:

- дренажний отвір для талої води засмічено (використовуйте дренажний трос для очищення дренажного отвору).

Дверцята не зачиняються і не відчиняються належним чином

Перевірте,

- чи не заважають упаковки з продуктами закривати дверцята?
- чи правильно розміщені дверні відсіки, полиці та ящики?
- можливо, дверні ущільнювачі дефектні чи пошкоджені?
- чи на рівній підлозі стоїть холодильник?

Холодильник недостатньо охолоджує

- Ваш холодильник призначений для функціонування за інтервалів температур навколишнього середовища, позначених в технічних умовах, відповідно до класу кліматичних умов, зазначеного на інформаційній етикетці. Ми не рекомендуємо використовувати холодильник в температурному режимі, величини якого виходять за рамки зазначених у специфікації.

Клас кліматичних умов	Температура довкілля, °C
T	Між 16 і 43
ST	Між 16 і 38
N	Між 16 і 32
SN	Між 10 і 32

РЕКОМЕНДАЦІЇ

- Щоб збільшити простір і покращити зовнішній вигляд, «охолоджувальну секцію» холодильників розташовано всередині задньої стінки холодильної камери. Коли працює компресор, стінка вкривається інеем і краплинами води. Не хвилюйтеся. Це цілком нормально. Прилад потрібно розморозувати, лише якщо на задній стінці утворився надмірно товстий шар льоду.
- Якщо холодильник не використовується протягом тривалого часу (наприклад, під час літньої відпустки), встановіть ручку термостата у положення «*». Розморозьте і вимийте холодильник, залишивши дверцята відкритими, щоб запобігти утворенню цвілі та запаху.

ПЕРШ НІЖ ЗВЕРТАТИСЯ ДО ПІСЛЯПРОДАЖНОГО СЕРВІСУ

• ІНФОРМАЦІЯ ПРО ВІДПОВІДНІСТЬ СТАНДАРТАМ

- Це обладнання призначене для використання за температури навколишнього середовища у межах 16-32 °С.
- Прилад розроблений відповідно до стандартів IEC60335-1/ IEC60335-2-24, 2004/108/EC.

ПОРАДИ ЩОДО ЕКОНОМІЇ ЕНЕРГІЇ

1. Встановіть прилад у прохолодному, добре вентиляваному приміщенні, куди не потрапляють прямі сонячні промені, далеко від джерел тепла (батареї опалення, плит тощо). В іншому разі необхідно використовувати ізоляційну панель.
2. Дайте теплим стравам та напоям охолонути за межами холодильника.
3. Для відтавання заморожених продуктів помістіть їх до холодильної камери. Низька температура заморожених продуктів під час відтавання допоможе охолодити холодильну камеру. Це сприятиме збереженню електроенергії. Відтавання заморожених продуктів поза холодильником призведе до безглуздої витрати енергії.
4. Напої та рідкі страви мають зберігатися в холодильнику накритими. В іншому разі збільшиться вологість усередині холодильника, а це вимагатиме від нього довшої роботи. Накривання напоїв та рідких страв також допоможе зберегти їхні запахи і смак.
5. Розміщуючи продукти та напої, намагайтеся якомога швидше закрити дверцята холодильника.
6. Тримайте закритими будь-які камери холодильника, що відрізняються за температурою (контейнер для овочів і фруктів, охолоджувач тощо).
7. Ущільнювач на дверцятах має залишатися чистим та м'яким. У разі зносу замініть прокладку на дверях.

PRZED UŻYCIEM.....	20
OSTRZEŻENIA OGÓLNE.....	20
OSTRZEŻENIA DOTYCZĄCE BEZPIECZEŃSTWA.....	21
INSTALACJA I OBSŁUGA URZĄDZENIA.....	21
ZANIM ZACZNIESZ KORZYSTAĆ Z CHŁODZIARKO-ZAMRAŻARKI.....	21
CZĘŚCI URZĄDZENIA I JEGO KOMORY.....	22
JAK OBSŁUGIWAĆ URZĄDZENIE.....	22
USTAWIENIE TERMOSTATU.....	22
WYPOSAŻENIE.....	22
WSKAŹNIK „OTWARTE DRZWI“.....	22
PRODUKCJA KOSTEK LODU.....	22
PLASTIKOWY SKROBAK.....	22
CZYSZCZENIE I KONSERWACJA.....	23
ROZMRAŻANIE.....	23
WYMIANA ŻARÓWKI.....	23
PRZECHOWYWANIE ŻYWNOŚCI W URZĄDZENIU.....	23
KOMORA CHŁODZIARKI.....	23
KOMORA ZAMRAŻARKI.....	23
TRANSPORT I USTAWIENIE.....	24
ZANIM ZADZWONISZ PO SERWIS.....	24
WSKAZÓWKI DOTYCZĄCE OSZCZĘDZANIA ENERGII...25	
INSTRUKCJA MONTAŻU.....	26

OSTRZEŻENIA OGÓLNE

- !** **OSTRZEŻENIE:**
Nie blokuj otworów wentylacyjnych urządzenia ani w zabudowie..
 - !** **OSTRZEŻENIE:**
Nie używaj urządzeń mechanicznych, ani innych środków do przyspieszenia procesu rozmrażania, poza tymi, które zaleca producent.
 - !** **OSTRZEŻENIE:**
Nie używaj urządzeń elektrycznych w komorze do przechowywania żywności, chyba, że są rekomendowane przez producenta.
 - !** **OSTRZEŻENIE:**
Nie uszkodzić obiegu chłodzącego.
 - !** **OSTRZEŻENIE:**
Aby uniknąć niebezpieczeństwa związanego z brakiem stabilności, urządzenie to musi być ustawione zgodnie z instrukcją.
- Jeśli urządzenie to używa chłodziwa R600a - informacja ta znajduje się na tabliczce znamionowej chłodziarki - musisz je ostrożnie transportować i instalować, aby uniknąć uszkodzenia elementów chłodzących. R600a to gaz naturalny i przyjazny dla środowiska, ale łatwopalny. W przypadku wycieku gazu spowodowanego uszkodzeniem elementów chłodzących, odsuń urządzenie z dala od źródeł otwartego ognia i ogrzewania oraz dobrze przewietrz pomieszczenie, w którym stoi urządzenie.
 - Nie uszkodzić przewodów obiegu gazu chłodzącego podczas przenoszenia i ustawiania lodówki.
 - Nie przechowuj w tym urządzeniu materiałów wybuchowych, takich jak puszki z aerozolem, który zawiera łatwopalny propelent.
 - Urządzenie to jest przeznaczone do użytku domowego lub w podobnych miejscach, np;
 - kuchni dla pracowników w sklepach,
 - biurach i innych miejscach pracy, na farmach oraz, przez klientów, w hotelach,
 - motelach i innych miejscach zakwaterowania, miejscach typu pensjonat;
 - w celach cateringowych i podobnych zastosowaniach nie-handlowych
 - Jeśli gniazdko nie pasuje do wtyczki lodówki, musi ono zostać wymienione przez wykwalifikowaną osobę w celu uniknięcia niebezpieczeństwa.
 - Urządzenie to nie jest przeznaczone do użytku przez osoby (w tym dzieci) upośledzone fizycznie, sensorycznie lub umysłowo, a także przez osoby niedysponujące dostatecznym doświadczeniem i wiedzą, chyba że zostaną one przyuczone i w pierwszym okresie użytkowania będą nadzorowane przez osobę odpowiedzialną za ich bezpieczeństwo. Dzieci nie należy pozostawiać bez opieki, aby mieć pewność, że nie będą się one bawić urządzeniem.
 - Kabel zasilania lodówki zaopatrzony jest w specjalną wtyczkę z uziemieniem. Wtyczka ta powinna być podłączona do specjalnie uziemionego gniazdka
 - Jeśli w twoim domu nie ma takiego gniazdka, proszę zlecić upoważnionemu elektrykowi jego zainstalowanie.
 - Urządzenie to może być używane przez dzieci w wieku lat 8 lub starsze, osoby z obniżoną sprawnością fizyczną, zmysłową lub umysłową, osoby z brakiem doświadczenia i wiedzy, jeśli są one nadzorowane lub gdy je poinstruowano jak korzystać z tego urządzenia w bezpieczny sposób, i gdy zdają sobie sprawę z istniejących niebezpieczeństw. Dzieci nie powinny bawić się tym urządzeniem. Czyszczenie i konserwacja nie powinny być wykonywane przez dzieci bez nadzoru.
 - Jeśli kabel zasilania jest uszkodzony, musi on zostać wymieniony przez wykwalifikowaną osobę w celu uniknięcia niebezpieczeństwa.

• UTYLIZACJA STARYCH URZĄDZEŃ



- Jeśli twoja stara lodówka ma zamek, zniszcz go lub usuń, aby dzieci nie mogły się zatrzasnąć w środku, co mogłoby być przyczyną wypadku.
- Stare lodówki i zamrażarki zawierają materiał izolacyjny i środek chłodzący z freonem. Z tego powodu, kiedy chcesz ją usunąć, zrób to bez szkody dla środowiska.
- Zapytaj władze lokalne o sposób zutylizowania zużytego sprzętu elektrycznego, w celu jego ponownego użycia, przetworzenia lub odzyskania części.

▶ UWAGI:

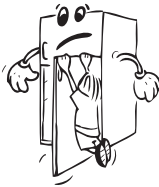
- Proszę, przeczytaj dokładnie instrukcję obsługi przed instalacją i rozpoczęciem użytkowania urządzenia. Producent nie ponosi odpowiedzialności za uszkodzenia powstałe wskutek nieprawidłowego użytkowania.
- Postępuj zgodnie ze wskazówkami na urządzeniu i w instrukcji obsługi oraz przechowuj ją w bezpiecznym miejscu, by móc rozwiązać problemy, które mogą wystąpić w przyszłości.
- Urządzenie to przeznaczone jest do użytku domowego i może ono być używane wyłącznie w domu według jego przeznaczenia. Nie jest ono przeznaczone do zastosowania komercyjnego. Takie użycie tego urządzenia spowoduje unieważnienie gwarancji, a nasza firma nie ponosi odpowiedzialności za straty, które mogą być konsekwencją niewłaściwego użytkowania urządzenia.
- Urządzenie to jest produkowane dla użytku domowego i jest przeznaczone tylko do chłodzenia / przechowywania żywności. Nie jest ono przeznaczone do zastosowania komercyjnego i/lub przechowywania substancji innych niż żywność. Nasza firma nie ponosi odpowiedzialności za straty, które mogą być konsekwencją niewłaściwego użytkowania urządzenia.

OSTRZEŻENIA DOTYCZĄCE BEZPIECZEŃSTWA

- Nie używaj rozgałęźników ani przewodów przedłużających.
- Nie podłączaj zniszczonych, uszkodzonych lub starych wtyczek.
- Nie ciągnij za kabel, nie zginaj ani nie niszc go. Urządzenie to jest przeznaczone do obsługi przez osoby dorosłe, nie pozwól dzieciom bawić się nim, ani huścić się na drzwiach.
- Nie włączaj lub wyłączaj wtyczki z gniazdka mokrymi rękami, aby uniknąć porażenia prądem!



- Nie umieszczaj w komorze zamrażarki szklanych butelek lub puszek z napojami. Butelki i puszki mogą wybuchnąć.
- Dla własnego bezpieczeństwa nie umieszczaj materiałów wybuchowych lub łatwopalnych w lodówce. Napoje z wysoką zawartością alkoholu ustaw w lodówce pionowo i szczelnie zamknij butelki.
- Podczas wyciągania lodu z zamrażarki nie dotykaj go - lód może spowodować oparzenia i/lub skaleczenia.
- Nie dotykaj zamrożonych rzeczy wilgotnymi rękami! Nie jedz lodów ani kostek lodu bezpośrednio po wyjęciu ich z zamrażarki!
- Nie zamrażaj ponownie rozmrożonych produktów. Może to spowodować problemy zdrowotne, jak na przykład zatrucie pokarmowe.
- Nie okrywaj lodówki lub jej wierzchu koronką. Będzie to miało negatywny wpływ na pracę lodówki.
- Aby uniknąć uszkodzenia wyposażenia podczas transportu, umocuj je wewnątrz lodówki.



INSTALACJA I OBSŁUGA URZĄDZENIA

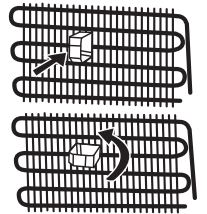
Przed rozpoczęciem użytkowania chłodziarko-zamrażarki zwróć uwagę na następujące punkty:

- Napięcie robocze urządzenia to 220-240 V przy 50Hz.
- Po instalacji należy zachować dostęp do wtyczki.
- Kiedy pierwszy raz włączysz urządzenie możesz poczuć specyficzny zapach. Zniknie on, gdy urządzenie zacznie chłodzić.

- Przed podłączeniem do sieci upewnij się, że napięcie na tabliczce znamionowej jest takie samo jak napięcie w systemie elektrycznym twojego domu.
- Włóż wtyczkę do gniazdka z odpowiednim uziemieniem. Jeśli gniazdko nie ma uziemienia lub wtyczka nie pasuje, radzimy skontaktować się z upoważnionym elektrykiem.
- Urządzenie to musi być podłączone do prawidłowo zainstalowanego kontaktu z bezpiecznikiem. Rodzaj prądu (prąd zmienny) i napięcie w miejscu ustawienia muszą być zgodne z informacjami umieszczonymi na tabliczce znamionowej (znajduje się ona na lewej ścianie wewnątrz urządzenia).
- Producent nie ponosi odpowiedzialności za uszkodzenie powstałe wskutek użytkowania bez uziemienia.
- Ustaw lodówkę w miejscu nie narażonym na bezpośrednie działanie promieniowania słonecznego.
- Lodówka nigdy nie powinna być używana na zewnątrz lub stać na deszczu.
- Urządzenie to powinno znajdować się co najmniej 50 cm od pieców, piekarników na gaz i innych źródeł ciepła oraz co najmniej 5 cm od piekarników elektrycznych.
- Jeśli lodówka znajduje się obok zamrażarki, powinno być między nimi co najmniej 2 cm odstępu, aby na ściankach zewnętrznych nie osadzała się wilgoć.
- Nie ustawiaj ciężkich przedmiotów na urządzeniu.
- Przed użytkowaniem umyj dokładnie urządzenie, a zwłaszcza jej wnętrze (patrz Czyszczenie i konserwacja).
- Proces instalacji w zabudowie kuchennej jest opisany w Instrukcji instalacji. Produkt ten jest przeznaczony do montażu tylko w szafkach kuchennych.
- Zapewnij prawidłowe działanie lodówki na stabilnym podłożu, regulując wysokość przednich nóg. Możesz wyregulować nóżki obracając je zgodnie ze wskazówkami zegara (lub w przeciwnym kierunku). Należy to zrobić przed umieszczeniem jedzenia w lodówce.



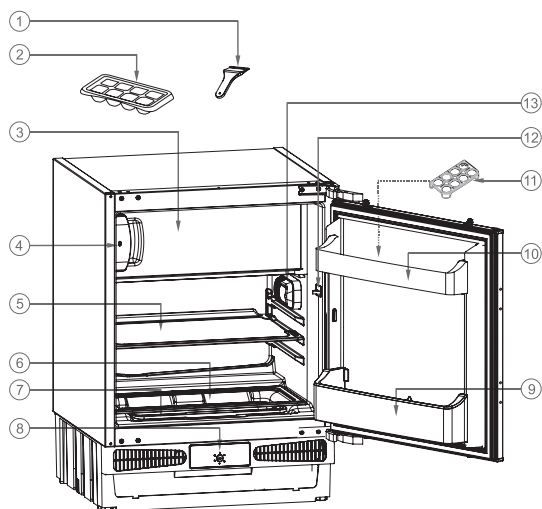
- Przed użytkowaniem urządzenia przetrzyj wszystkie części ciepłą wodą z dodatkiem łyżeczki sody oczyszczonej, następnie przetrzyj czystą wodą i osusz. Po umyciu włóż wszystkie części.
- Zainstaluj plastikową nakładkę dystansową (część z czarnymi skrzydełkami znajdująca się z tyłu) przez obrócenie jej o 90°, jak pokazano na obrazku, aby kondensator nie dotykał ściany.



ZANIM ZACZNIESZ KORZYSTAĆ Z CHŁODZIARKO-ZAMRAŻARKI

- Jeśli włączasz urządzenie po raz pierwszy po przetransportowaniu jej, najpierw pozostaw ją w pozycji pionowej przez 3 godziny, a potem podłącz. Umożliwi to jej wydajną pracę. W przeciwnym wypadku możesz uszkodzić kompresor.
- Chłodziarko-zamrażarka może mieć nieprzyjemny zapach, kiedy włączy się ją po raz pierwszy; zapach ten zniknie, kiedy urządzenie zacznie chłodzić.

CZĘŚCI URZĄDZENIA I JEGO KOMORY



Prezentacja urządzenia przedstawia informacje dotyczące jego części.

Części mogą się różnić w zależności od typu urządzenia.

1. Łopatkę do lodu
2. Pojemnik na lód
3. Drzwi zamrażarki
4. Drzwi zamrażarki; wskaźnik otwarcia/zamknięcia
5. Półka chłodziarki
6. Pokrywa pojemnika na świeże owoce i warzywa
7. Pojemnik na świeże owoce i warzywa
8. Termostat
9. Półka na butelki
10. Półka na masło i sery
11. Pojemnik na jaja
12. Przycisk włączania/wyłączania oświetlenia
13. Oświetlenie chłodziarki

- Jeśli urządzenie zostanie wyłączone lub odcięte od sieci, odczekaj przynajmniej 5 minut przed ponownym włączeniem. Unikniesz uszkodzenia kompresora.
- URZĄDZENIA (z 4 gwiazdkami): Zamrażarka tego urządzenia chłodzi do -18°C i poniżej.

WYPOSAŻENIE

• WSKAŹNIK „OTWARTE DRZWI”

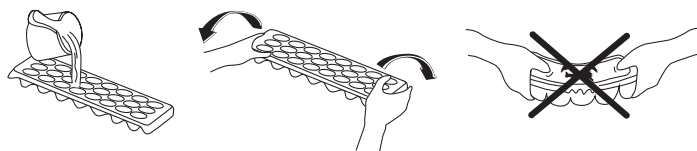


- Wskaźnik „otwarte drzwi” na uchwycie wskazuje czy drzwi są dobrze zamknięte, czy są ciągle otwarte.
- Jeśli wskaźnik jest czerwony, drzwi są nadal otwarte.
- Jeśli wskaźnik jest biały, drzwi są dobrze zamknięte.
- Drzwi zamrażarki powinny zawsze być zamknięte.
- Zapobiegnie to rozmrażaniu się produktów spożywczych; pozwoli uniknąć odkładania się lodu i szronu wewnątrz zamrażarki, a tym samym niepotrzebnego wzrostu zużycia energii.

• PRODUKCJA KOSTEK LODU

Tacka na lód

- Wypełnij tackę na lód wodą i umieść w komorze zamrażarki.
- Kiedy woda całkowicie zmieni się w lód, skróć tackę, jak pokazano poniżej, a kostki wypadną.



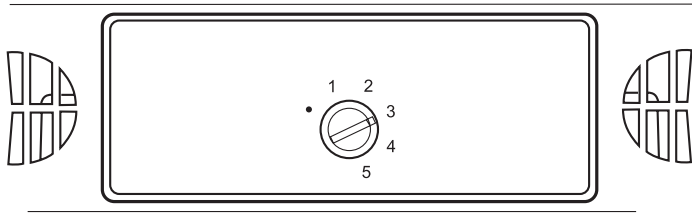
• PLASTIKOWY SKROBAK



Po jakimś czasie w niektórych miejscach komory zamrażarki zacznie odkładać się szron. Szron odkładający się w zamrażarce powinien być okresowo usuwany. W tym celu użyj plastikowego skrobaka, który jest w wyposażeniu. Nie używaj ostrych metalowych przedmiotów do wykonania tej czynności. Mogą one przebić obieg chłodzący i spowodować nieodwracalne uszkodzenie urządzenia.

JAK OBSŁUGIWAĆ URZĄDZENIE

USTAWIENIE TERMOSTATU



- Termostat automatycznie reguluje temperaturę wewnątrz komory chłodziarki i zamrażarki. Niższe temperatury można uzyskać przez obracanie gałką z pozycji 1 do 5.
- Pozycja «» wskazuje, że termostat jest wyłączony i nie jest możliwe chłodzenie.
- Dla krótkoterminowego przechowywania żywności w komorze zamrażarki ustaw gałkę w pozycji pomiędzy minimum a średnią (1-3).
- Dla długoterminowego przechowywania żywności w komorze zamrażarki ustaw gałkę w pozycji średniej (3-4).

! Uwaga: temperatura otoczenia, temperatura świeżo włożonego jedzenia oraz to, jak często drzwi chłodziarki są otwierane, mają wpływ na temperaturę w komorach chłodziarki i zamrażarki. Jeśli istnieje taka potrzeba, zmień ustawienia temperatury.

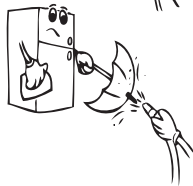
- Kiedy po raz pierwszy włączasz chłodziarkę, najlepiej by było, gdyby pracowała przez 24 godziny bez otwierania drzwi i pusta. Jeśli musisz zacząć jej używać od razu, spróbuj nie wkładać do niej dużo jedzenia.

CZYSZCZENIE I KONSERWACJA

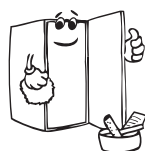
- Przed czyszczeniem odłącz urządzenie od sieci.



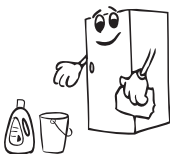
- Nie myj urządzenia, lejąc na nią wodę.



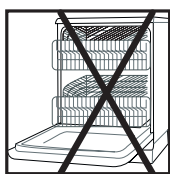
- Komora chłodziarki powinna być myta okresowo za pomocą roztworu sody oczyszczonej i ciepłej wody.



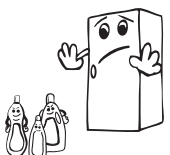
- Przetrzyj boki wewnętrzne i zewnętrzne miękką ściereczką lub gąbką, używając ciepłej wody z płynem.



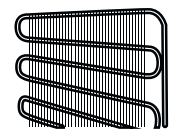
- Wyposażenie umyj oddzielnie ciepłą wodą z płynem. Nie myj ich w zmywarce.



- Nie używaj produktów ściernych, żrących detergentów czy płynów. Po umyciu przetrzyj powierzchnie czystą wodą i osusz dokładnie. Po zakończeniu czyszczenia, suchymi rękami podłącz urządzenie do sieci.

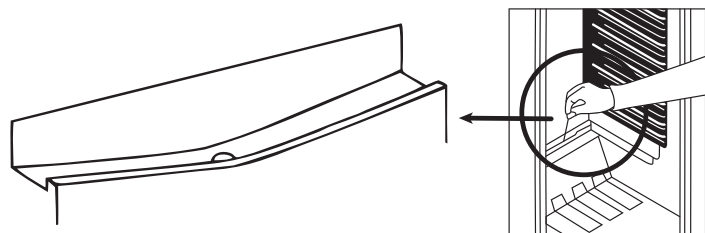


- Przynajmniej raz w roku trzeba przetrzeć szczotką kondensator, aby oszczędzać energię i zwiększyć produktywność lodówki.



ROZMRAŻANIE

• KOMORA CHŁODZIARKI



- Chłodziarka odmraża się automatycznie; woda z odmrażania zbiera się na tacce, skąd samoczynnie odparowuje.
- Otwór odpływowy zbierający wodę z odmrażania powinien być czyszczony okresowo, aby zapobiec zbieraniu się wody na dnie chłodziarki.
- Aby wyczyścić wnętrze odpływu, możesz wlać do niego ½ szklanki wody.

• KOMORA ZAMRAŻARKI

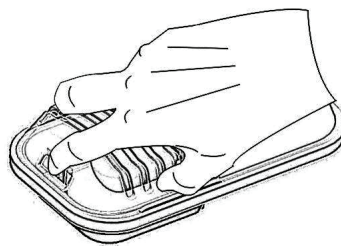
Szron odkładający się w zamrażarce powinien być okresowo usuwany. (Użyj plastikowego skrobaka, który jest w wyposażeniu) Komora zamrażarki powinna być czyszczona w taki sam sposób, jak komora chłodziarki, i odmrażana przynajmniej dwa razy w roku.

W tym celu:

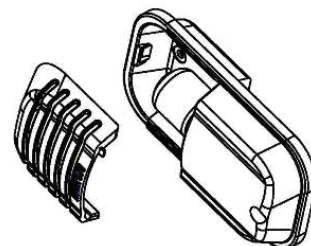
- Dzień przed rozmrażaniem ustaw termostat na „5”, aby całkowicie zamrozić jedzenie.
- Podczas rozmrażania zamrożona żywność powinna być zawinięta w kilka warstw papieru i przechowywana w chłodnym miejscu. Nieunikniony wzrost temperatury skróci jej przydatność do spożycia. Pamiętaj, aby zużyć te produkty w stosunkowo krótkim okresie czasu.
- Ustaw termostat na « » lub wyłącz urządzenie z sieci.

- Aby przyspieszyć proces rozmrażania, możesz umieścić w komorze zamrażarki jeden lub więcej pojemnik z ciepłą wodą.
- Dokładnie osusz wnętrze urządzenia, a następnie ustaw termostat w pozycji MAX.

WYMIANA ŻARÓWKI



Rys. 1



Rys. 2

• WYMENIAJĄC ŻARÓWKĘ W CHŁODZIARCE:

1. Odłącz urządzenie od zasilania.
2. Naciśnij haczyk z przodu pokrywy żarówki, jak na rys. 1, a następnie zdejmij ją.
3. Wymień żarówkę na nową, nie silniejszą niż 15W.
4. Ponownie nałóż pokrywę, odczekaj 5 minut i włącz urządzenie.

PRZECHOWYWANIE ŻYWNOŚCI W URZĄDZENIU

KOMORA CHŁODZIARKI

Komora chłodziarki służy do przechowywania świeżej żywności przez kilka dni.

- Nie układaj jedzenia w bezpośrednim kontakcie z tylną ścianą komory chłodziarki. Pozostaw trochę wolnego miejsca, aby powietrze mogło swobodnie cyrkulować.
- Nie umieszczaj w lodówce gorącego jedzenia, ani parujących cieczy.
- Zawsze przechowuj produkty w zamkniętych pojemnikach lub opakowane.
- Aby zredukować wilgotność i zapobiec tworzeniu się szronu, nigdy nie wstawiaj do lodówki cieczy w niezamkniętych pojemnikach.
- Zaleca się umieszczanie mięsa wszelkiego rodzaju w opakowaniu, na szklanej półce tuż powyżej pojemnika na owoce i warzywa, gdzie powietrze jest najzimniejsze.
- Owoce i warzywa można wkładać do przeznaczonego na nie pojemnika bez opakowania.
- Aby uniknąć utraty zimnego powietrza, staraj się nie otwierać zbyt często lodówki oraz nie zostawiaj jej otwartej przed dłuższy czas.

KOMORA ZAMRAŻARKI

- Zamrażarka jest przeznaczona do zamrażania świeżej żywności oraz do przechowywania zamrożonych produktów przez okres czasu wskazany na opakowaniu, a także do wytwarzania kostek lodu.
- Aby zamrozić świeżą żywność: dokładnie opakuj i zamknij świeże produkty, tzn. opakowanie powinno być hermetyczne i nie powinno przeciekać. Idealne są tu: specjalne woreczki do zamrażania, folia aluminiowa (gruba, w razie wątpliwości zawiń podwójnie), torebki i pojemniki plastikowe.
- Zamrażanie: informacja o maksymalnej ilości świeżych produktów (w kg), które mogą być dziennie zamrożone znajduje się na tabliczce znamionowej.
- Dla optymalnej pracy urządzenia i aby osiągnąć maksymalną wydajność mrożenia, ustaw gałkę termostatu na „4”, kiedy wkładasz produkty do zamrożenia.
- Po umieszczeniu świeżych produktów w zamrażarce zazwyczaj wystarczy 24 godziny szybkiego zamrażania. Po 24 godzinach wyłącz funkcję szybkiego zamrażania.

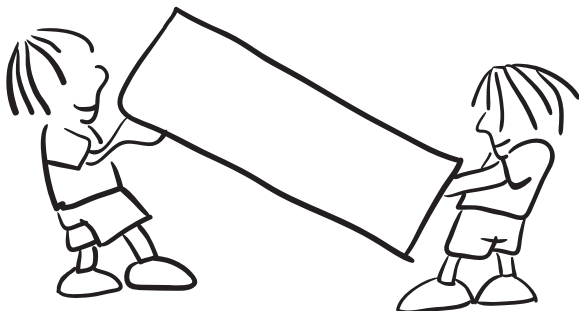
! UWAGA: Aby oszczędzić energię, funkcja szybkiego zamrażania może być wyłączona, jeśli zamrażasz małe ilości jedzenia.

PRZECHOWYWANIE ŻYWNOSCI W URZĄDZENIU

- Nie dopuszczaj do kontaktu świeżego jedzenia z wcześniej zamrożonym.
- Zawsze zapisz datę i zawartość opakowania oraz nie przekraczaj określonego czasu przechowywania.
- W przypadku braku prądu lub awarii, komora zamrażarki zachowa odpowiednio niską temperaturę dla przechowywania produktów. Unikaj wtedy otwierania drzwi zamrażarki, aby spowolnić wzrost temperatury w komorze zamrażarki.
- Informacja o maksymalnej ilości świeżych produktów (w kg), które mogą być dziennie zamrożone znajduje się na tabliczce znamionowej (patrz Zdolność zamrażania).
- Nigdy nie wkładaj ciepłego jedzenia do zamrażarki.
- Kiedy kupujesz i przechowujesz produkty mrożone, zawsze upewnij się, że opakowanie nie jest uszkodzone.
- Informacja o okresie i rekomendowanej temperaturze przechowywania produktu mrożonego znajduje się na opakowaniu. Przechowuj i używaj produkty mrożone, postępuj zgodnie z zaleceniami producenta. Jeśli nie ma żadnej informacji, przechowuj jedzenie nie dłużej niż 3 miesiące.
- Włóż jedzenie do komory zamrażarki jak najszybciej po jego zakupie.
- Kiedy jedzenie odtajało, nie może być powtórnie zamrożone; musisz je ugotować jak najszybciej, aby je spożyć lub ponownie zamrozić.
- Jeśli chcesz zrobić kostki lodu, wypełnij tackę na lód wodą i umieść w komorze zamrażarki. Kiedy woda całkowicie zmieni się w lód, przekręć tackę, jak pokazano poniżej, a kostki wypadną.

TRANSPORT I USTAWIENIE

- Oryginalne opakowanie piankowe może być zachowane do ponownego transportu (opcja).
- W celu ponownego transportowania urządzenia należy opakować ją grubo, mocując taśmami lub silnym sznurkiem i postępować zgodnie z instrukcją producenta umieszczoną na opakowaniu.
- Usuń części ruchome (półki, wyposażenie, pojemniki na warzywa, itp.) lub przymocuj je do urządzenia za pomocą taśm, aby uniknąć obijania się podczas transportu.
- **Przeńs urządzenie w pozycji pionowej.**



ZANIM ZADZWONISZ PO SERWIS

Jeśli chłodziarko-zamrażarka nie pracuje prawidłowo, przyczyną może być jakiś mały problem, więc sprawdź następujące rzeczy.

Urządzenie nie działa

Sprawdź, czy:

- Jest awaria prądu,
- Wtyczka główna nie jest prawidłowo włożona lub jest luźna,
- Termostat jest ustawiony na pozycję «*«*»,
- Gniazdko jest uszkodzone. Aby to sprawdzić, włącz do tego gniazdka inne urządzenie, które wiesz, że na pewno działa.

Urządzenie źle działa

Sprawdź, czy:

- Nie jest przeładowane,
- Drzwi są dobrze zamknięte,
- Jest wystarczająca wentylacja w szafce kuchennej, o której mowa w Instrukcji instalacji.

Jeśli jest nadmierny hałas:

Gaz chłodzący, który krąży w układzie chłodniczym, może wydawać delikatne dźwięki (bulgotanie) nawet, gdy kompresor nie pracuje. Nie martw się, jest to całkiem normalne. Jeśli słyszysz inne dźwięki sprawdź, czy:

- Urządzenie jest ustawione stabilnie, według zaleceń Instrukcji instalacji.
- Przedmioty ustawione na urządzeniu wibrują.

Jeśli w dolnej części urządzenia znajduje się woda;

Sprawdź, czy:

Otwór odpływowy zbierający wodę z odmrażania nie jest zatkany (użyj zatyczki do otworu odpływowego, aby wyczyścić go).

Jeśli drzwi nie otwierają się i nie zamykają prawidłowo:

- Czy opakowania produktów nie przeszkadzają w zamknięciu drzwi?
- Czy pojemniki na drzwiach, półki i szuflady zostały prawidłowo zamocowane?
- Czy uszczelki drzwi są uszkodzone lub naderwane?
- Czy urządzenie stoi na równej powierzchni?

Jeśli chłodziarka nie chłodzi dobrze:

• Chłodziarko-zamrażarka ta jest przystosowana do pracy w określonym przedziale temperatur otoczenia zgodnie z klasą klimatyczną podaną na tabliczce znamionowej. Zalecamy nie używać lodówek w innym przedziale temperatur, jako że może to wpłynąć na efekt chłodzenia.

Klasa klimatyczna	Przedział Temperatur °C
T	Pomiędzy 16 a 43
ST	Pomiędzy 16 a 38
N	Pomiędzy 16 a 32
SN	Pomiędzy 10 a 32

• ZALECENIA

- Aby zwiększyć pojemność i ulepszyć wygląd urządzenia, część chłodząca umieszczona jest wewnątrz tylnej ścianki komory chłodziarki. Kiedy kompresor pracuje, ścianka pokrywa się szronem lub kropelkami wody. Nie martw się. Jest to całkiem normalne. Urządzenie trzeba rozmrozić tylko, kiedy na tylnej ściance odłoży się nadmiernie duża warstwa lodu.
- Jeśli urządzenie nie będzie używane przez dłuższy czas (na przykład podczas wakacji letnich), ustaw termostat na «*«*». Aby uniknąć pleśni i nieprzyjemnego zapachu, rozmroź i wyczyść lodówkę, pozostaw otwarte drzwi.

• INFORMACJA O ZGODNOŚCI

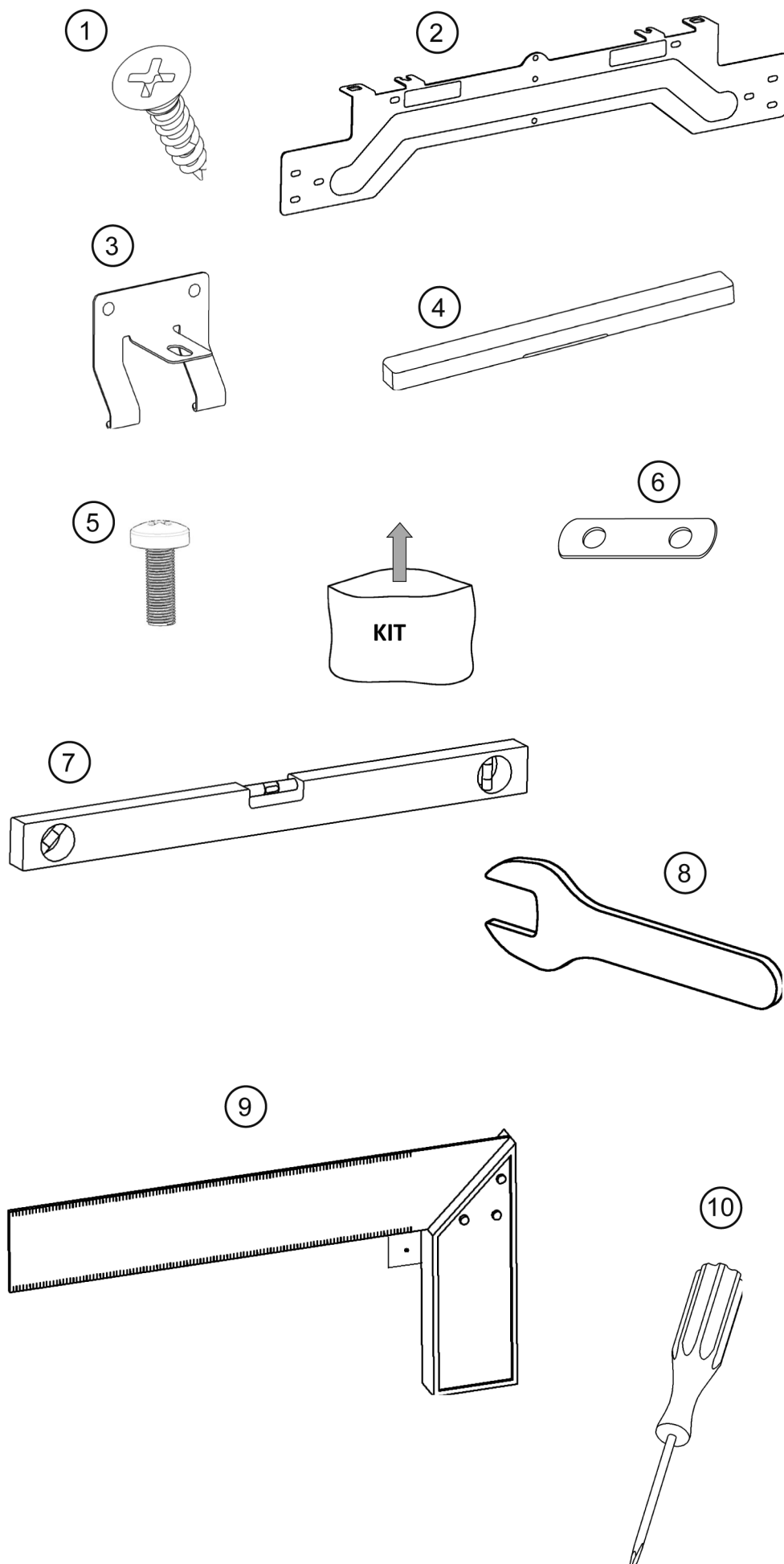
- Urządzenie jest przeznaczone do użytkowania w zakresie temperatur otoczenia od 16°C do 32°C.
- Urządzenie to jest wyprodukowane zgodnie ze standardami IEC60335-1 / IEC60335-2-24, 2004/108/EC

WSKAZÓWKI DOTYCZĄCE OSZCZĘDZANIA ENERGII

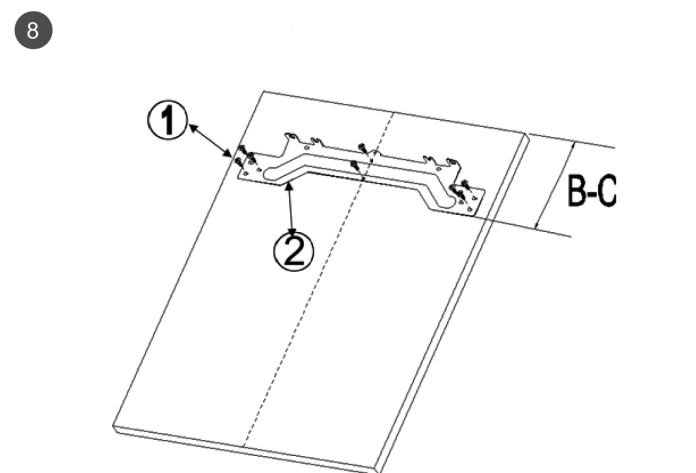
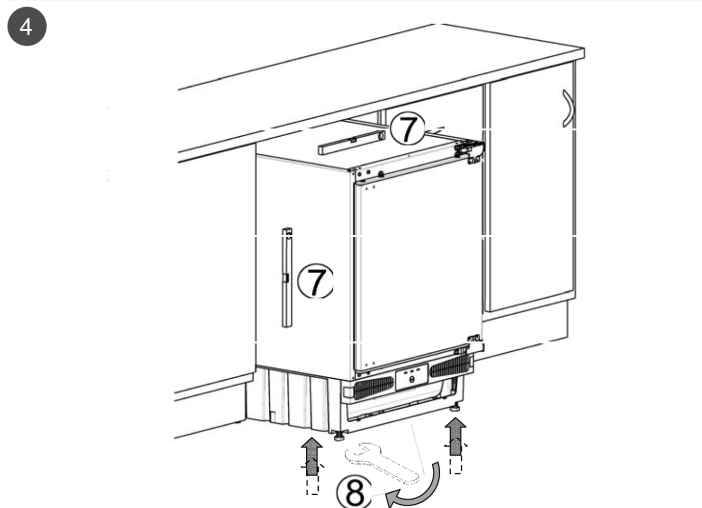
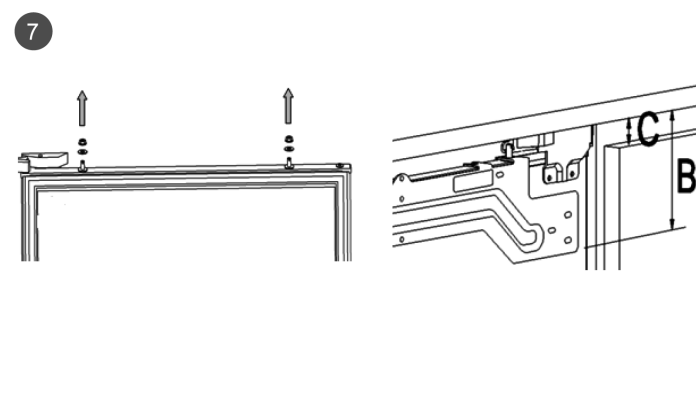
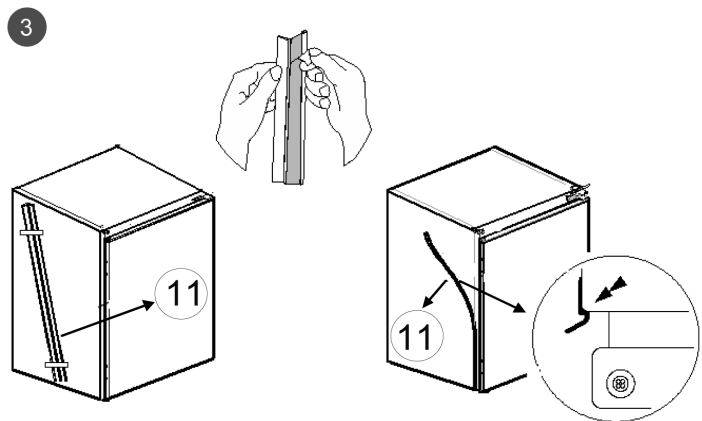
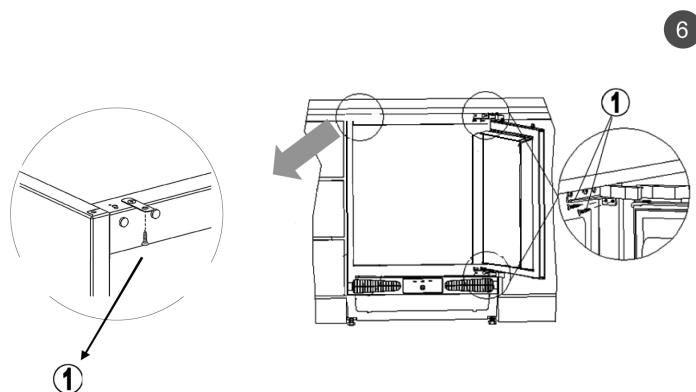
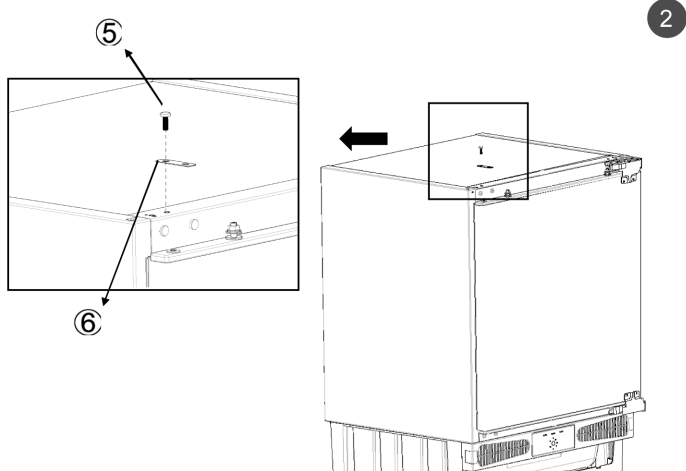
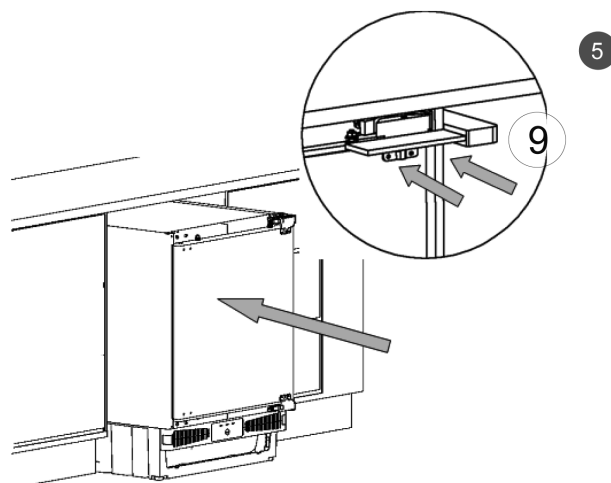
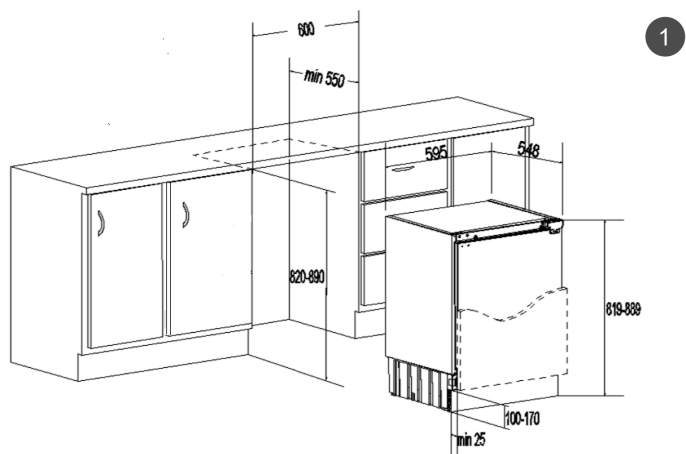
1. Ustaw urządzenie w chłodnym, dobrze wentylowanym pomieszczeniu, unikając w miejsc bezpośrednio nasłonecznionych, obok źródeł ciepła (kaloryfer, kuchenka, itp.) W razie potrzeby użyj płyty izolacyjnej.
2. Gorące potrawy i napoje należy schłodzić poza urządzeniem.
3. Jeśli chcesz rozmrozić produkty mrożone, włóż je do komory chłodziarki. Niska temperatura mrozonek będzie chłodzić komorę chłodziarki. Pozwoli to zaoszczędzić energię. Jeśli mrożonki są rozmrażane na zewnątrz urządzenia, powoduje to marnowanie się energii.
4. Zawsze zamykaj pojemniki lub butelki z napojami. W przeciwnym wypadku w lodówce będzie się zbierać wilgoć. Czas pracy się wydłuży. Zakrywanie napojów i innych cieczy pomaga zachować aromat i smak.
5. Kiedy wkładasz do lodówki jedzenie i napoje, otwieraj drzwi na jak najkrócej.
6. Utrzymuj zamknięte komory, w których panuje odmienna temperatura (pojemnik na świeże owoce i warzywa, chłodziarka, itp.)
7. Uszczelka drzwi musi zawsze być czysta i sprężysta. Jeśli się zużyje, wymień ją.

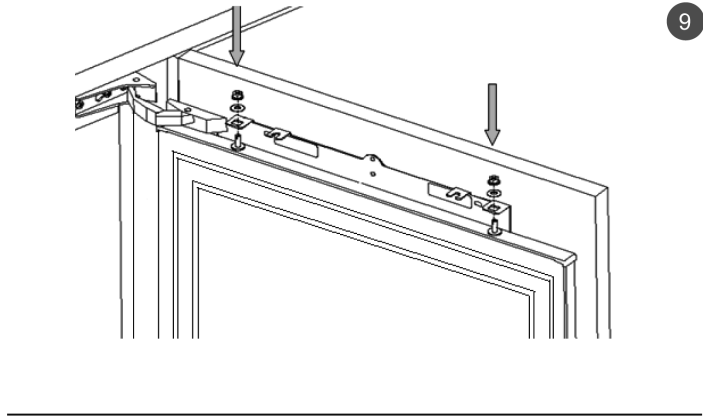
INSTRUKCJA MONTAŻU

CZĘŚCI I NARZĘDZIA DO MONTAŻU

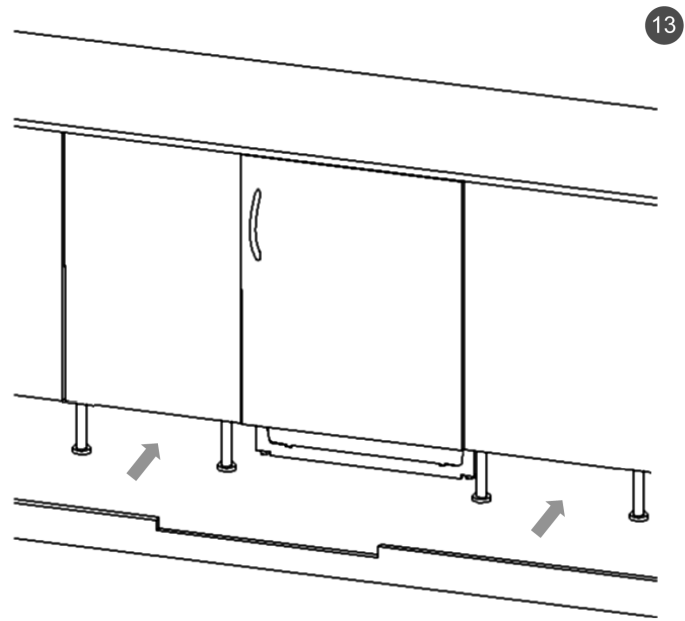


INSTRUKCJA MONTAŻU

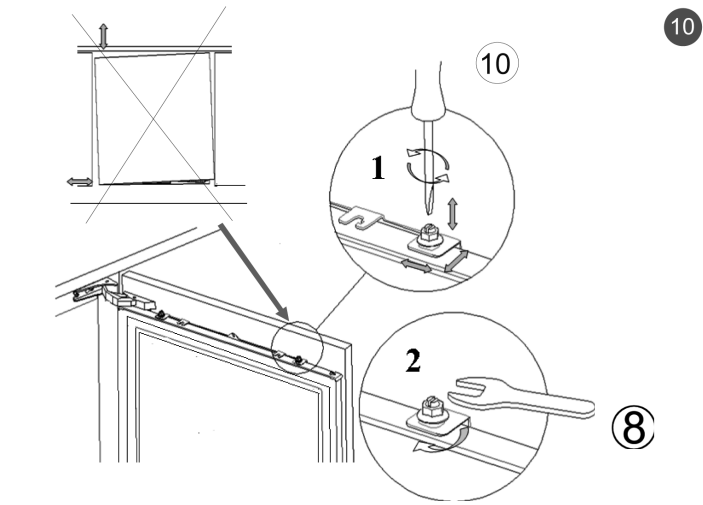




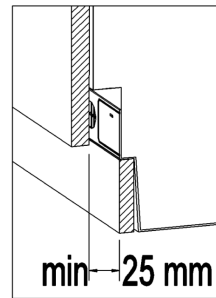
9



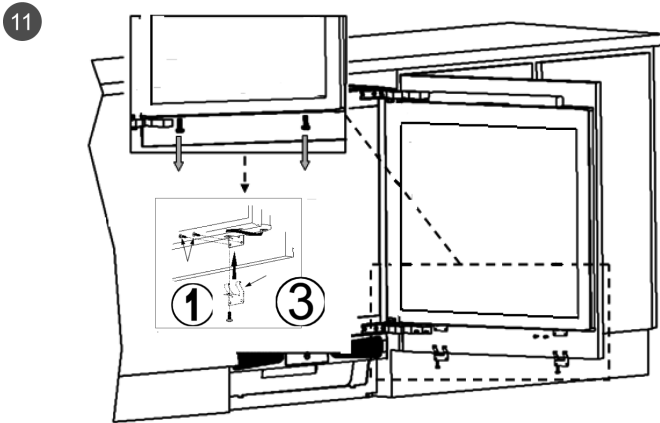
13



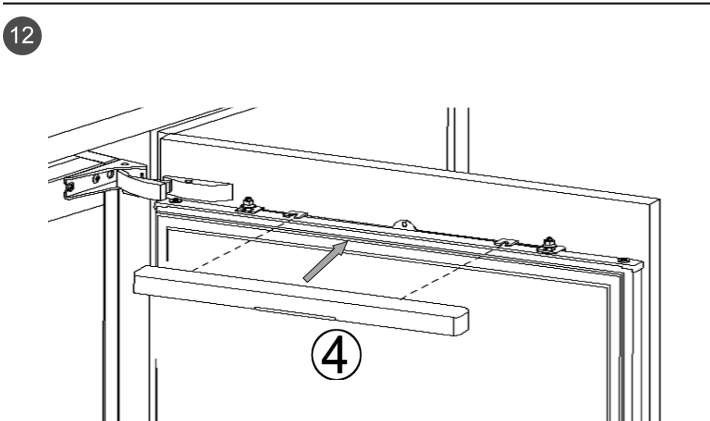
10



min 25 mm



11



12

4

FOR YEARS TO COME

freggia



Istruzioni in formato elettronico e` possibile scaricare dal sito www.freggia.com

This manual can be downloaded at www.freggia.com

Инструкцию в электронном виде можно скачать на сайте www.freggia.com

Інструкцію в електронному вигляді можна завантажити на сайті www.freggia.com

Instrukcję w formie elektronicznej można pobrać ze strony internetowej www.freggia.com

Un posto per adesivi

Sticker place

Место для наклейки

Місце для наклейки

Miejsce na naklejkę



059